

VITAM-921AP



Features

- ◆ 21.5" New Generation Stainless Steel Panel PC
- ◆ 6th Gen. Intel® Core™ i3-6100U / Core™ i5-6300U(Optional)
- ◆ True Flat Front Bezel Design and Grade 304 Stainless Steel Enclosure (Grade 316 for Option)
- ◆ IP66/IP69K Rated with M12 Connectors
- ◆ Support Resistive Touch, Projected Capacitive Touch, and Glass
- ◆ Touch on/off Button on the Side Edge for Hygienic Cleaning
- ◆ Support Ergonomic Versatile Mounting: Yoke Mounting / Space-saving VESA 100 mm Mounting

Specifications

System

Processor	6th Gen. Intel® Core™ i3-6100U/Core™ i5-6300U (option)
System Chipset	SoC
System Memory	1x SO-DIMM DDR4 slot, up to 16GB
RFID Module	RFID module design on the front side (optional)

Outside I/O Port-Standard M12 I/O Connector on the rear

USB	1 x M12 8-pin for USB 2.0 with waterproof cap
Serial/Parallel	1 x M12 8pin for COM 1, RS-232/422/485, Default RS-232, with waterproof cap
LAN	1 x M12 8pin for LAN with waterproof cap
Power	1 x M12 3pin DC Power with waterproof cap 1 x Power Switch on the rear side
Others	1 x Touch on/off button on the side
Option	2 x optional blank M12 connectors with waterproof cap for selecting two from the following options: 2 x USB 2.0 1 x USB 3.0 1 x LAN Port 1 x COM Port 1 x CAN Bus

Storage Space

HDD	1 x 2.5" HDD/SSD Space 1 x mSATA slot onboard
-----	--

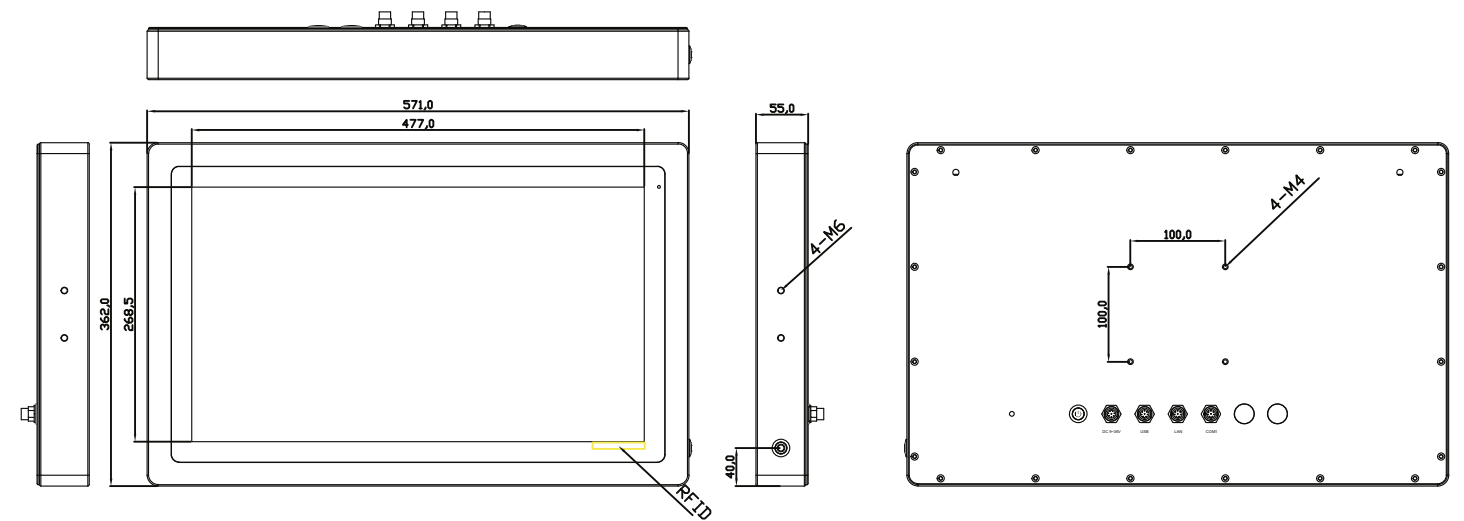
Expansion

Expansion Slot	1 x Mini PCIe slot for WIFI/BT (optional)
----------------	---

Display	Standard	High Brightness optional
Display Type	21.5" TFT LCD	21.5" TFT LCD
Max. Resolution	1920 x 1080	1920 x 1080
Max. Color	16.7M	16.7M
Luminance (cd/m ²)	300	1000
View Angle	178(H) / 178(V)	178(H) / 178(V)
Contrast	3000:1	3000:1
Backlight Lifetime	50,000 hrs	50,000 hrs
Option	Optical Bonding	Optical Bonding

Touch Screen	Resistive Touch	PCT	Glass
TS Control IC	PenMount 6000 on Board	Chip on tail	NA
Interface	USB interface	USB interface	AR
Light Transmission	Over 80%	Over 90%	Over 90%

Dimensions



UNIT: mm
Tolerance: 0.5

Power

Power input	DC 9~36V
Power Consumption	TBD

Mechanical

Color	304 Stainless Steel Enclosure (Default) 316 Stainless Steel Enclosure (Optional)
Construction	Stainless steel enclosure
Mounting	VESA mount 100 x 100, Yoke mount
IP Rating	Total IP66 / IP69K
Dimension	571 x 362 x 55
Net Weight	10 Kg

Environmental

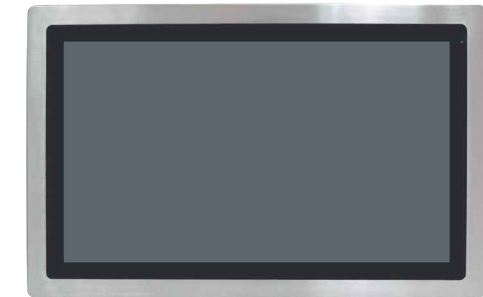
Operating temperature(°C)	0~50°C
Storage temperature(°C)	-30°C ~70°C
Storage humidity	10 to 90% @ 40°C, non- condensing
Certification	CE/FCC class A

Operating System Support

Windows 7 64 bit / Windows 8 64 bit / Windows 10 IoT

Ordering information

VITAM-921AP	21.5"/1920x1080/S.S./I3-6100U/4G/32GMLC SSD/PCT/9~36V/w ADP
VITAM-921AR	21.5"/1920x1080/S.S./I3-6100U/4G/32GMLC SSD/RT/9~36V/w ADP
VITAM-921APH	21.5"/1920x1080/1000NITS/S.S./I3-6100U/4G/32GMLC SSD/PCT/9~36V/w ADP
VITAM-921ARH	21.5"/1920x1080/1000NITS/S.S./I3-6100U/4G/32GMLC SSD/RT/9~36V/w ADP



www.hardware-solutions.it

