

VITAM-816P

Features

- ◆ 15.6" New Generation Stainless Steel Panel PC
- ◆ Intel® Celeron™ N2930 1.83GHz Onboard Processor
- ◆ True Flat Front Bezel Design and Grade 304 Stainless Steel Enclosure (Grade 316 for Option)
- ◆ IP66/IP69K Rated with M12 Connectors
- ◆ Support Resistive Touch, Projected Capacitive Touch, and Glass
- ◆ Touch on/off Button on the Side Edge for Hygienic Cleaning
- ◆ Support Ergonomic Versatile Mounting: Yoke Mounting / Space-saving VESA 75 mm Mounting

Specifications

System

| | |
|----------------|--|
| Processor | Onboard Intel® Celeron™ N2930(1.83GHz) Processor |
| System Chipset | SoC |
| System Memory | Onboard 4GB DDR 3L 1333 MHz/8GB (optional) |
| RFID Module | RFID Module design on the front side (optional) |

Outside I/O Port-Standard M12 I/O Connector on the rear

| | |
|-----------------|--|
| USB | 1 x M12 8-pin for USB 2.0 with waterproof cap |
| Serial/Parallel | 1 x M12 8pin for COM 1, RS-232/422/485, default RS-232, with waterproof cap |
| LAN | 1 x M12 8pin for LAN with waterproof cap |
| Power | 1 x M12 3pin DC Power with waterproof cap 1 x Power Switch on the rear side |
| Others | 1 x Touch on/off button on the side |
| Option | 2 x optional blank M12 connectors with waterproof cap for selecting two from the following options: 2 x USB 2.0 1 x USB 3.0 1 x LAN 1 x COM Port 1 x CAN 1 x POE |

Storage Space

| | |
|----------------|--------------------|
| HDD | 1 x 2.5" HDD / SSD |
| Movable device | 1 x SD slot |

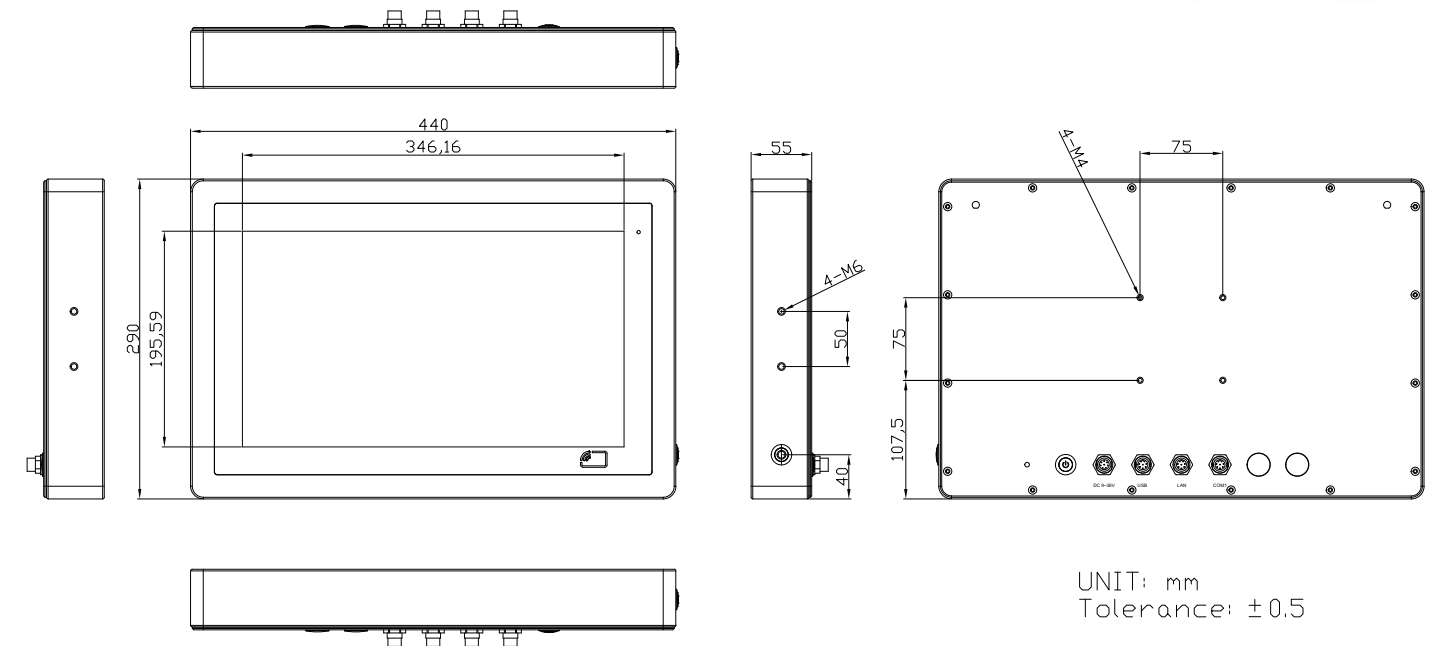
Expansion

| | |
|----------------|---|
| Expansion Slot | 1 x Mini PCIe slot for WIFI/BT (optional) |
|----------------|---|

| Display | Standard | High Brightness optional |
|--------------------------------|---------------------|--------------------------|
| Display Type | 15.6" color TFT LCD | 15.6" color TFT LCD |
| Max. Resolution | 1366 x 768 | 1366 x 768 |
| Max. Color | 16.7M | 16.7M |
| Luminance (cd/m ²) | 300 | 1000 |
| View Angle | 160(H) / 160(V) | 160(H) / 160(V) |
| Contrast | 500:1 | 500:1 |
| Backlight Lifetime | 50,000 Hrs | 50,000 Hrs |
| Option | Optical Bonding | Optical Bonding |

| Touch Screen | Resistive Touch | PCT | Glass |
|--------------------|------------------------|---------------|----------|
| TS Control IC | PenMount 6000 on Board | Chip on tail | NA |
| Interface | USB interface | USB interface | AR |
| Light Transmission | Over 80% | Over 90% | Over 90% |

Dimensions



UNIT: mm
Tolerance: ±0.5

Power

| | |
|-------------------|-------------------------------------|
| Powerinput | 9~36V DC |
| Power Consumption | MAX: TBD (816R) / MAX: 24.2W (816P) |

Mechanical

| | |
|--------------|---|
| Color | 304 Stainless Steel Enclosure (Default) 316 Stainless Steel Enclosure (Optional) |
| Construction | Stainless steel enclosure |
| Mounting | VESA mount 75 x 75, Yoke mount |
| IP Rating | IP66/IP69K |
| Dimension | 440 x 290 x 55 mm |
| Net Weight | 5.2 Kg |

Environmental

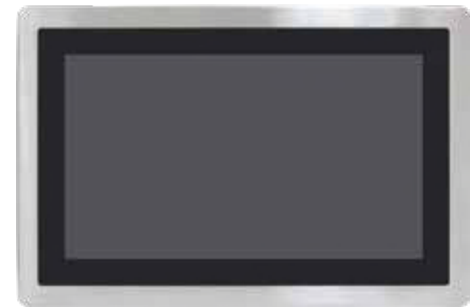
| | |
|---------------------------|-----------------------------------|
| Operating temperature(°C) | 0~50°C |
| Storage temperature(°C) | -30°C ~70°C |
| Storage humidity | 10 to 90% @ 40°C, non- condensing |
| Certification | CE/FCC class A |

Operating System Support

Windows 7 Embedded Enterprise, Windows Embedded Standard 7,
Windows Embedded 8.1 Pro, Windows Embedded 8.1 Industry Pro, Windows 10 IoT 2016

Ordering information

| | |
|-------------|--|
| VITAM-816P | 15.6"/1366x768/S.S./N2930/4G/32GMLC SSD/PCT/9~36V/w ADP |
| VITAM-816R | 15.6"/1366x768/S.S./N2930/4G/32GMLC SSD/RT/9~36V/w ADP |
| VITAM-816PH | 15.6"/1366x768/1000NITS/S.S./N2930/4G/32GMLC SSD/PCT/9~36V/w ADP |
| VITAM-816RH | 15.6"/1366x768/1000NITS/S.S./N2930/4G/32GMLC SSD/RT/9~36V/w AD |



**HARDWARE
SOLUTIONS**

www.hardware-solutions.it

8 X X X