

ViTAM-810P



Features

- ◆ 10.1" New Generation Stainless Steel Panel PC
- ◆ Intel® Celeron™ N2930 1.83GHz Onboard Processor
- ◆ True Flat Front Bezel Design and Grade 304 Stainless Steel Enclosure (Grade 316 for Option)
- ◆ IP66/IP69K Rated with M12 Connectors
- ◆ Support Resistive Touch, Projected Capacitive Touch, and Glass
- ◆ Touch on/off Button on the Side Edge for Hygienic Cleaning
- ◆ Support Ergonomic Versatile Mounting: Yoke Mounting / Space-saving VESA 75 mm Mounting

Specifications

System

Processor	Onboard Intel® Celeron™ N2930(1.83GHz) Processor
System Chipset	SoC
System Memory	Onboard 4GB DDR 3L 1333 MHz/8GB (optional)
RFID Module	RFID Module design on the front side (optional)

Outside I/O Port-Standard M12 I/O Connector on the rear

USB	1 x M12 8-pin for USB 2.0 with waterproof cap
Serial/Parallel	1 x M12 8pin for COM 1, RS-232/422/485, default RS-232, with waterproof cap
LAN	1 x M12 8pin for LAN with waterproof cap
Power	1 x M12 3pin DC Power with waterproof cap 1 x Power Switch on the rear side
Others	1 x Touch on/off button on the side
Option	2 x optional blank M12 connectors with waterproof cap for selecting two from the following options: 2 x USB 2.0 1 x USB 3.0 1 x LAN 1 x COM Port 1 x CAN 1 x POE

Storage Space

HDD	1 x 2.5" HDD / SSD
Movable device	1 x SD slot

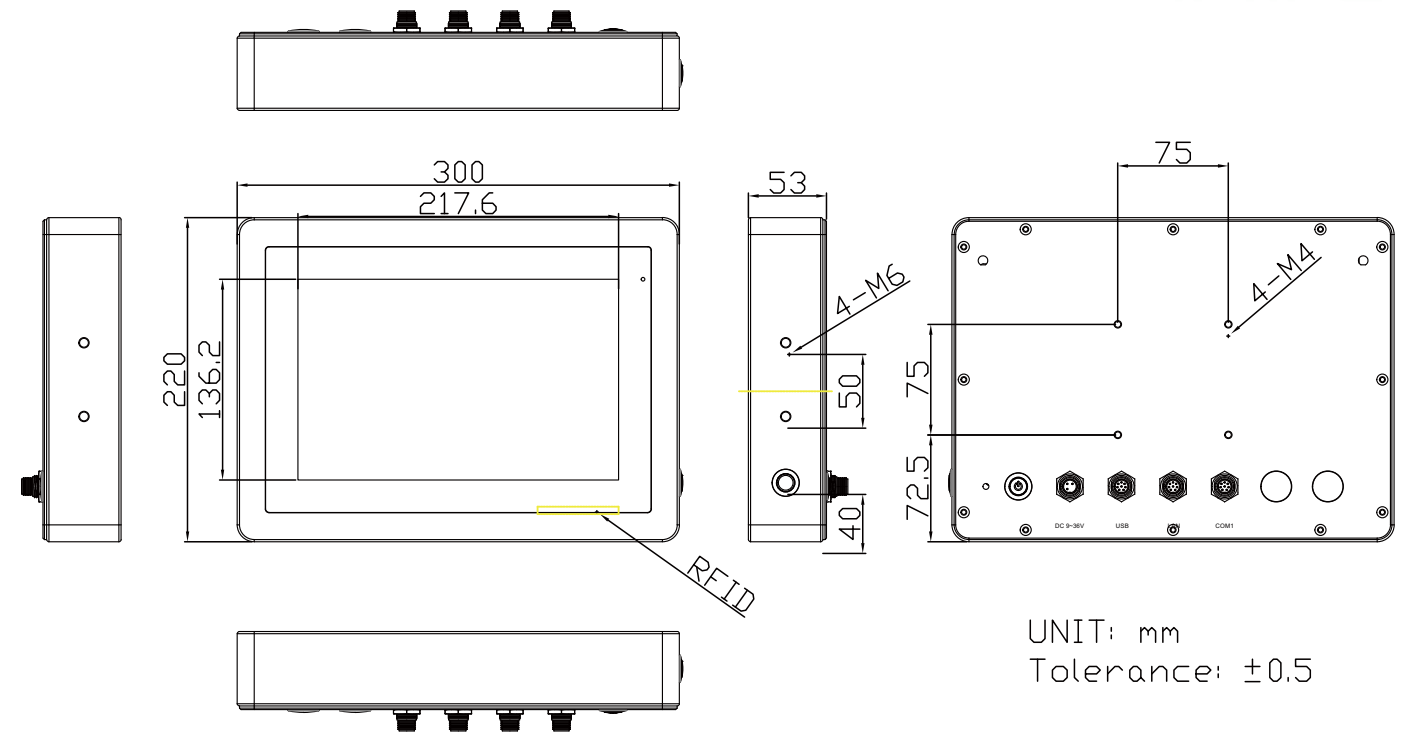
Expansion

Expansion Slot	1 x Mini PCIe slot for WIFI/BT (optional)
----------------	---

Display	Standard	High Brightness optional
Display Type	10.1" color TFT LCD	10.1" color TFT LCD
Max. Resolution	1280 x 800	1280 x 800
Max. Color	16.7M	16.7M
Luminance (cd/m ²)	350	1000
View Angle	170(H) / 170(V)	170(H) / 170(V)
Contrast	800:1	800:1
Backlight Lifetime	15,000 Hrs	50,000 Hrs
Option	Optical Boading	Optical Boading

Touch Screen	Resistive Touch	PCT	Glass
TS Control IC	PenMount 6000 on Board	Chip on tail	NA
Interface	USB interface	USB interface	AR
Light Transmission	Over 80%	Over 90%	Over 90%

Dimensions



UNIT: mm
Tolerance: ±0.5

Power

Powerinput	9~36V DC
Power Consumption	MAX: TBD (810R) / MAX: 17W (810P)

Mechanical

Color	304 Stainless Steel Enclosure (Default) 316 Stainless Steel Enclosure (Optional)
Construction	Stainless steel enclosure
Mounting	VESA mount 75 x 75, Yoke mount
IP Rating	IP66/IP69K
Dimension	300 x 220 x 53 mm
Net Weight	4 Kg

Environmental

Operating temperature(°C)	0~50°C
Storage temperature(°C)	-30°C ~70°C
Storage humidity	10 to 90% @ 40°C, non- condensing
Certification	CE/FCC class A

Operating System Support

Windows 7 Embedded Enterprise, Windows Embedded Standard 7, Windows Embedded 8.1 Pro, Windows Embedded 8.1 Industry Pro, Windows 10 IoT 2016

Ordering information

ViTAM-810P	10.1"/1280x800/S.S./N2930/4G/32GMLC SSD/PCT/9~36V/w ADP
ViTAM-810R	10.1"/1280x800/S.S./N2930/4G/32GMLC SSD/RT/9~36V/w ADP
ViTAM-810PH	10.1"/1280x800/1000NITS/S.S./N2930/4G/32GMLC SSD/PCT/9~36V/w ADP
ViTAM-810RH	10.1"/1280x800/1000NITS/S.S./N2930/4G/32GMLC SSD/RT/9~36V/w ADP



www.hardware-solutions.it

