

Features

- 21.5" Fanless Stainless Steel Panel PC
- Intel Core Ultra Processors (Series 1)
- True Flat Front Bezel Design and Grade 304 Stainless Steel Enclosure (Grade 316 for Option)
- Support Projective Capacitive Touch
- Touch on/off Button on the Side Edge for Hygienic Cleaning
- IP66/IP69K Rated with M12 Connectors
- DC 9~36V Wide Ranging Power Input
- Support Ergonomic Versatile Mounting: Yoke Mount / VESA Mount

Specifications

System	
CPU	Intel Core Ultra 5 125U (2 P-Cores x 1.3GHz, 8 E-Cores x 0.8GHz, 12MB cache, 15W) Intel Core Ultra 7 155U (2 P-Cores x 1.7GHz, 8 E-Cores x 1.2GHz, 12MB cache, 15W)
System Chipset	SoC
BIOS	AMI UEFI
System Memory	1 x DDR5-5600MHz SO-DIMM, up to 48GB

I/O Port	
USB	1 x M12 8-pin for 2 x USB 2.0 with Waterproof cap and chain
Serial/Parallel	1 x M12 8-pin for COM, RS-232/422/485 (Default RS-232) with Waterproof cap and chain
LAN	1 x M12 8-pin for 2.5GbE LAN with Waterproof cap and chain
Others	1 x Touch on/off button at the side
Power Connector	1 x M12 3-pin for Power Input

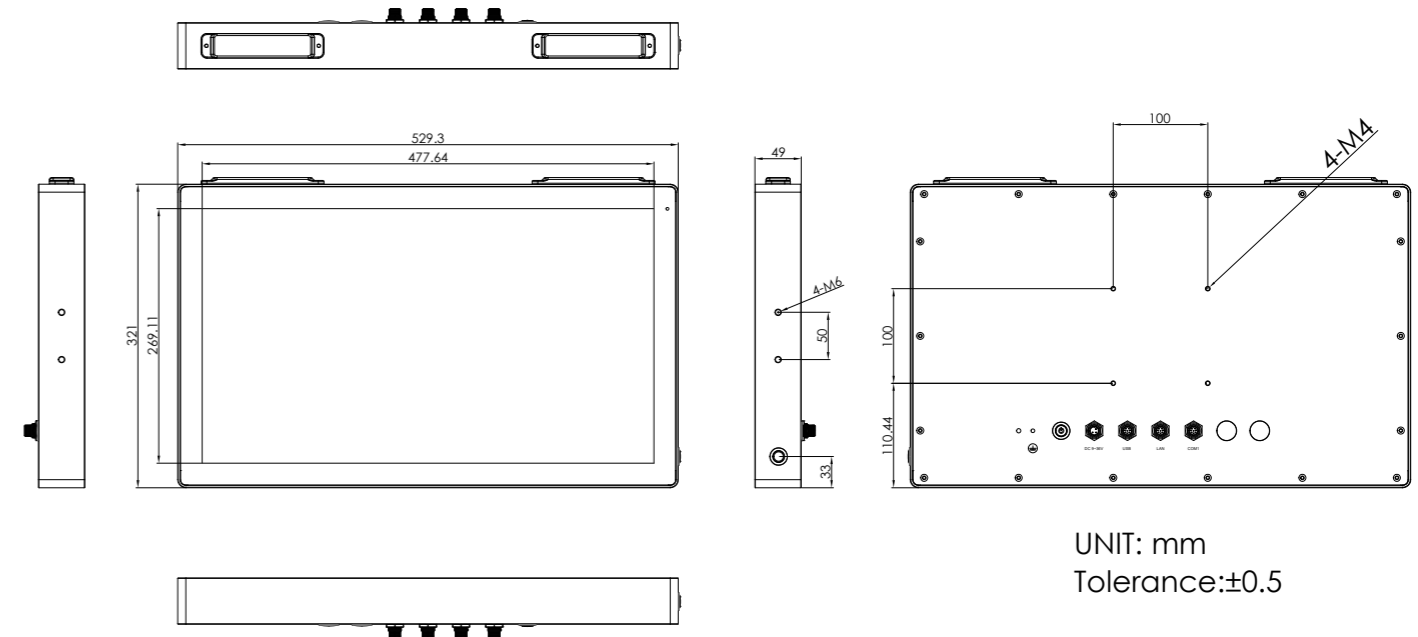
Storage Space	
HDD/SSD	1 x M.2 2280 M-Key socket (PCIe x 4) as standard 1 x 2.5" SATA3 SSD as optional

Expansion	
Optional I/O Ports	2 x M12 Blank for Option (Select one from each type) : · 2 x USB2.0 · 1 x USB3.2 Gen1 · 1 x 2.5GbE LAN · 1 x COM Port · 1 x HDMI
Expansion slots	1 x M.2 2230 E-Key (USB2.0, PCIe x1) for optional Wi-Fi/BT Module 1 x M.2 2242/3402/3052 B-Key (PCIe x1, USB3.2 Gen1, USB2.0) for optional LTE/5G Module 1 x SIM slot

Others	
TPM	Onboard TPM2.0
Watchdog Timer	1~255 sec (system)
Wake on LAN	Support WOL

Display	Standard	High Brightness Optional
Display Type	21.5" TFT-LCD	21.5" TFT-LCD
Max. Resolution	1920 x 1080	1920 x 1080
Max. Color	16.7M	16.7M
Luminance (cd/m ²)	250	1000
View Angle	178(H) /178(V)	170(H) /170(V)
Contrast	1000:1	1000:1
Backlight Lifetime	50,000 hrs	50,000 hrs

Dimensions



Touch Screen	
Type	Projected Capacitive Touch
Interface	USB
Light Transmission(%)	90%

Power	
Power Input	DC 9~36V
Power Consumption	TBD

Mechanical	
Construction	SUS304 Stainless Steel Chassis (default), SUS316 Stainless Steel Chassis (optional)
Mounting	VESA Mount 100 x 100, Yoke Mount for optional
IP Rating	Total IP66/IP69K
Dimensions(mm)	529.3 x 321 x 49 mm
Net Weight(kgs)	9.51 kg

Environmental	
Operating Temperature	0~50°C
Storage Temperature	-30~70°C
Humidity	10 to 95% @ 40°C, non-condensing
Certification	CE/FCC Class A

Operating System Support	
Windows 10 IoT Enterprise 2021 LTSC or later, Windows 11 (21H2) or later Linux 24.04 or later	

Ordering Information	
NuTAM-921EP	21.5" FHD IP66/69K stainless steel panel pc, Intel Core Ultra 5/7, 1 x SO-DIMM DDR5 slot, 128GB TLC SSD, projected capacitive touch, 9~36V DC power input with Adapter
NuTAM-921EPH	21.5" FHD High Brightness IP66/69K stainless steel panel pc, Intel Core Ultra 5/7, 1 x SO-DIMM DDR5 slot, 128GB TLC SSD, projected capacitive touch, 9~36V DC power input with Adapter