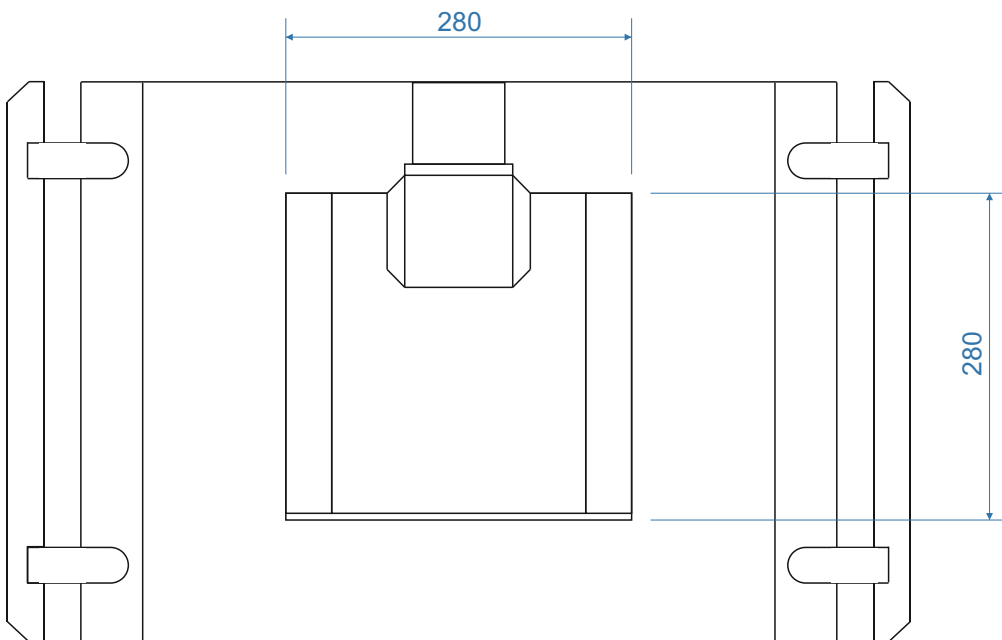
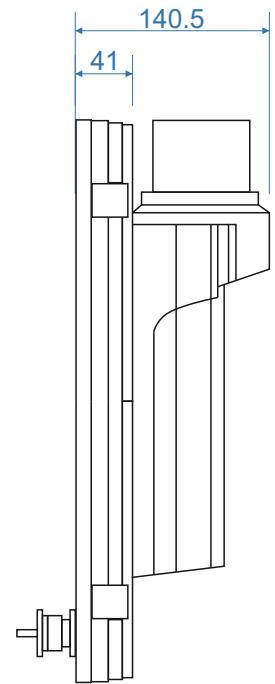
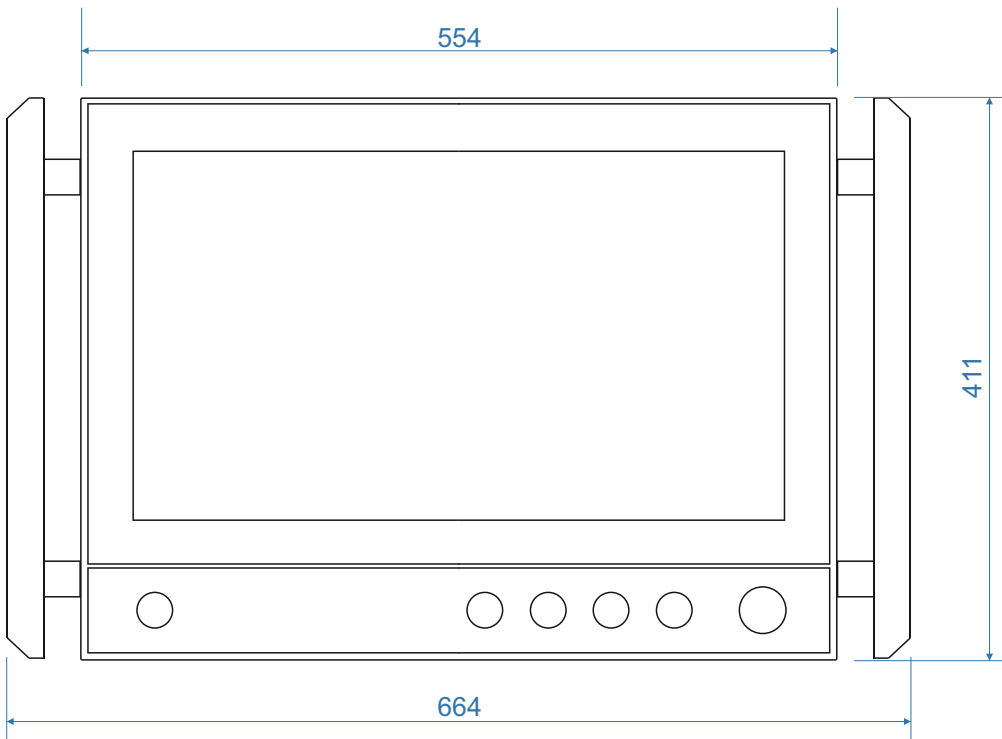
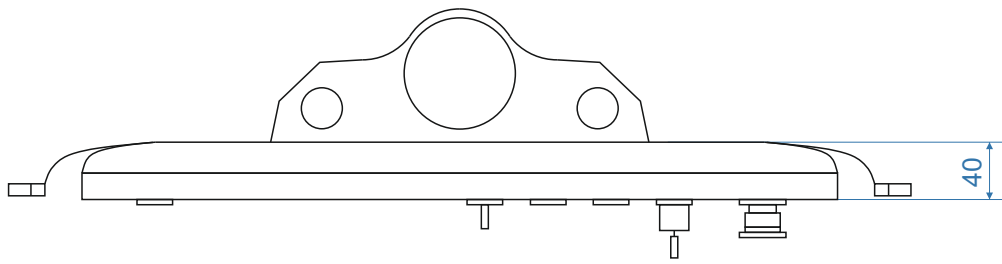





IOP



MONITOR

Model Name	IOP-121
Input Interface	
Signal Input	Supports VGA + DVI input
Communication Interface	USB 2.0 input
Physical	
Weight	14 Kg
Arm Direction	Optional UP or Down
Box Connector	Suitable for full series
Handle of Operation Panel	Standard
Operation Button	Optional Item. Nodka Standard: USB, Rotatable switch, Push button (green START, red STOP), Key switch (emergency stop switch)
Dimension (W x H x D)	554 x 411 x 140.5 mm
Power	
Input voltage	DC 12 ~ 24V support reverse polarity protection, overvoltage protection, overcurrent protection
Max. Power Dissipation	Optional
Display	
LCD Type	21.5" TFT Full HD
Resolution	1920 x 1080
Colors	16.7 M
MTBF	30000 hrs
Luminance (cd/m ²)	300
View Angle (H°/V°)	89 / 89 / 89 / 89
Contrast	3000 : 1
Touch Screen	
Touch Screen Type	Capacitive Touch Screen
Transmittance	> 81%
Response Time (touch pen)	< 5ms
Surface Hardness	Mohs Hardness 7H
Click Life	250g / 100.000.000 times
Multi-Touch	10 points
Environmental	
Operating Temperature	-10 ~ 60 °C
Storage Temperature	-20 ~ 80 °C
Humidity	5 ~ 95% Non-condensing
Shake	SSD applied: 1.5 Grms, IEC 60068-2-64, Half-sine wave, 11ms duration
Shock	SSD applied: 10G, IEC 60068-2-64, Half-sine wave, 11ms duration
EMC	CE/FCC Class A
IP rating	IP65



Name / Picture	Action Type	Touch Structure	Order Number	Button Color Coding
 <p>Push-Button Switch (S)</p>	Reset (RS)	1NC-1NO (11) 2NO (20) 2NC (2)	NDJ2-RS11G NDJ2-RS11R NDJ2-RS11B NDJ2-RS11Y NDJ2-RS11W	
 <p>Rotable Switch (T)</p>	1x 90° (19) (T)	1NC-1NO (11)	NDJ2-T1911	
 <p>Key Switch (K)</p>	1x 90° (1) (A)	1NC-1NO (11)	NDJ2-T1A11	
 <p>Emergency Stop Switch (S)</p>	Rotatable Reset (S)	2NC	NDJ2-ST02	

Name / Picture	Order Number	Weight (Kg)	Material	Horizontal Rotation
90° corner 	440.6.100.00	1.06	aluminum alloy	/
Box Connector 	440.6.090.00	0.9	aluminum alloy	0 ~ 320 °C
Top Stand 	440.6.120.00	1.13	aluminum alloy	0 ~ 320 °C
Box Connector 	440.6.130.00	1.52	aluminum alloy	0 ~ 320 °C
Base 	440.6.140.00	0.5	aluminum alloy	/
Box Connector 	440.6.150.00	1.1	aluminum alloy	0 ~ 320 °C
Rotating Base 	440.6.180.00	0.94	aluminum alloy	0 ~ 320 °C
Rotating Corner 	440.6.190.00	1.32	aluminum alloy	0 ~ 320 °C
Horizontal Wall Stand 	440.6.110.00	1.36	aluminum alloy	0 ~ 320 °C