



Features

- Supports Intel® 7th & 6th Gen Core i processor (LGA1151) with Intel Q170 chipset
- Two 260-pin SO-DIMM up to 32GB DDR4 2133 Mhz SDRAM
- Supports triple display of VGA/DP/HDMI/LVDS(eDP)
- Supports Pcle x16 (Gen 3), 1 F/S miniPCle 1 M.2 (NGFF), 6 USB 3.0 and 3 SATA III
- Supports wide range 12V~24V DC Input
- Supports Intel vPro, AMT 11.0, PECL 3.0, Software RAID 0,15,10, TPM 1.2/2.0
- Supports SUSIAccess and Embedded Software APIs

Specifications

Processor System

CPU	Intel® 7th & 6th Gen Core™ i processor
Model	i7-6700TE / i5-6500TE / i36100TE
Core Number	By CPU (max 4)
Max Speed	By CPU
L3 Cache	By CPU
BIOS	AMI EFI 128 Mbit SPI
Chipset	Q87

Expansion Slot

M.2	1, B key for SSD and 3G supported
Mini PCIe	1, F/S miniPCle slot (with mSATA supported)
Pcle x16 (Gen3)	16 GB/s per direction, 1 slot

Memory

Technology	Single Channel DDR4 2133 MHz SDRAM
Max.	32 GB (up to 16 GB per SO-DIMM)
Socket	2x 260 PIN DDR4 SO-DIMM (Non-ECC)

Graphics

Controller	Supports OpenGL 5x,DirectX12,OpenCL 2X
VRAM	Shared Memory, 2 GB and above
CRT	Support max. resolution 1920 x 1200 @ 60 Hz
LVDS	Dual Channel 48 Bit up to 1920 x 1200
HDMI	max resolution 4096 x 2160 @ 60 Hz
eDP	Yes, with internal pin header, max resolution 4096 x 2160 @ 60 Hz
Display Port 1.2	max resolution 4096 x 2160 @ 60 Hz
Multi Display	Yes (Triple Display)

SATA

Max Data Transfer Rate	600 MB/s (SATA 3.0)
SSD/HDD	1x mSATA 2x 2.5" SATAdrive 1x M.2

Ethernet

Interface	2x RJ45 GbE
Controller	LAN1: Intel i219LM LAN2: Intel I211AT

Rear I/O

CRT	1
HDMI	1 (HDMI 2.0 or HDMI 1.2)
Display Port 1.2	1
Ethernet	2
USB 3.0	4
Audio	3 (Mic-in, Line-out, Line-in)
Serial	1x RS 232

Power

Power Input	12-24V DC
Power On	AT/ATX Supported AT: Directly PWR on as power input ready ATX: Press button to PWR on after power input ready

Meccanical

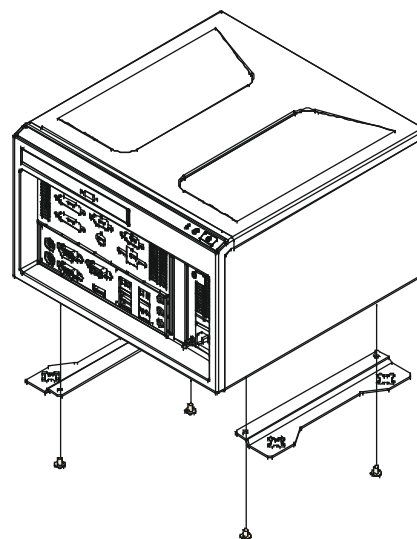
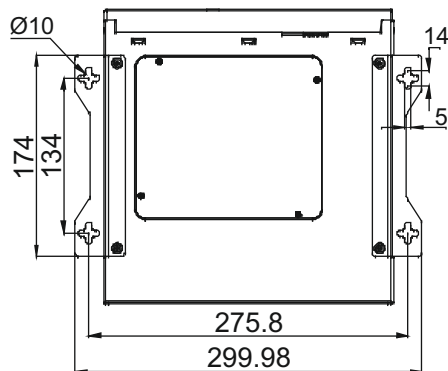
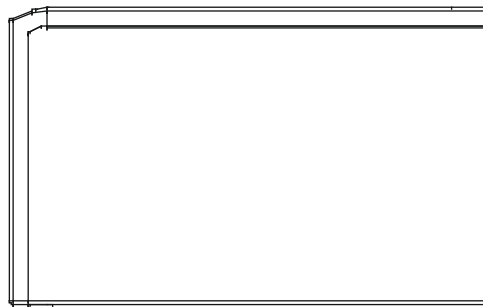
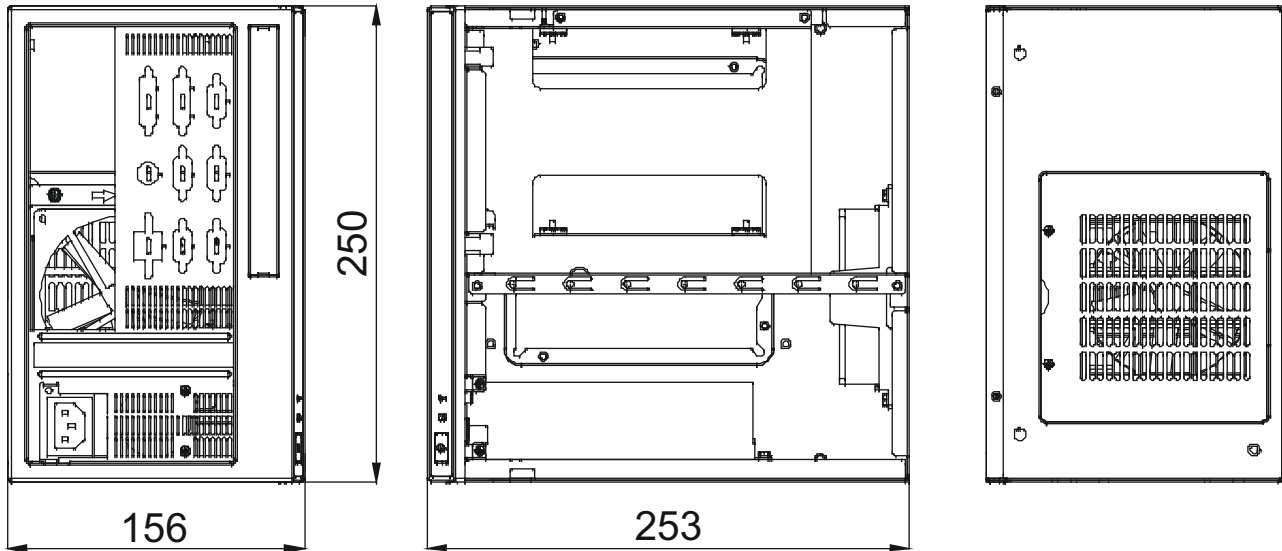
Construction	Black Steel Chassis
IP rating	None
Mounting	Wall Mounting
Dimension	250 x 156 x 253 mm
Net Weight	4.76 Kg

Environment

Operating Temperature	0°~50°C
Storage Humidity	30~95%
Certification	CE

Operating System Support

Win 8.1	Windows 8.1 Embedded 64 Bit
Win 7	Windows 7 Pro 64 Bit WS7E or WS7P
Win 10	Windows 10 IoT 32/64 Bit



unit: mm