



## Features

- \_ HSA-214 with one front I/O expansion slot
- \_ Various cut-outs for COM/DVI/LVDS,USBS/C-video
- \_ Shockproof drive bay for slim ODD and 3.5" HDD
- \_ Bottom door to access CF card or Mini-PCIe card
- \_ Support 180W Flex ATX power supply

## Specifications

### Processor System

CPU	Intel® Atom™ N2600/D2550
Model	-
Core Number	4
Max Speed	1.86 GHz
L2 Cache	1 MB
Bios	AMI 16Mbit SPI

### Expansion Slot

PCI	32 bit/33 Mhz SDRAM
Mini PCIe	1, F/S x1 support mSATA
PCIe	-

### Memory

Technology	Single Channel DDR3 1066 Mhz SDRAM
Max.	4 GB
Socket	1x 204 PIN SO-DIMM (Non-ECC)

### Graphics

Controller	Embedded Gen 3.5+GFX Core 400/640 MHz
VRAM	Shared Memory, up to 224 MB SDRAM
VGA	Support up to SXGA 1920 x 1200 @ 60 MHz
LVDS	Supports Dual Channel 48bit max resolution 2560 x 1600 (D2550) - 1600 x 1200 (N2600)
HDMI	Supports up to 1920 x 1200 @ 60 MHz
Dual Display	VGA+HDMI, VGA+LVDS, VGA+eDP

### SATA

Max Data Transfer Rate	300 MB/s (SATA 2.0)
Channel	3

### Ethernet

Interface	10/100/1000 Mbps
Controller	GbE LAN1: Intel 82574L/82583V co-lay GbE LAN2: Intel 82583V
Connector	2 x RJ45

### Rear I/O

CRT	1
HDMI	1
Ethernet	2
USB 2.0	4
Audio	3 (Mic-in, Line-out, Line-in)
Serial	2 (1 of RS 232, 1 of RS 232/422/485)
KB/MS	1
DC jack	1 (2.5 mm)

### Power

Power Input	12-24V DC
Power Consumption	Typical +12V x 2A

### Meccanical

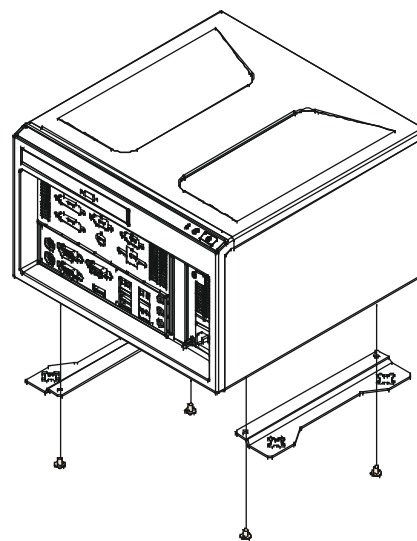
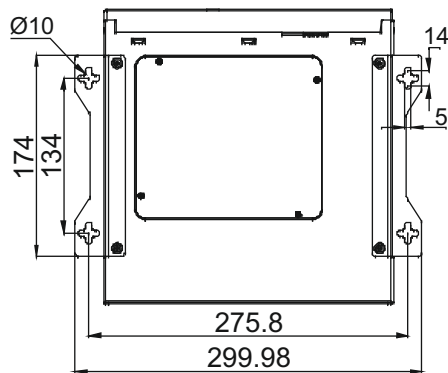
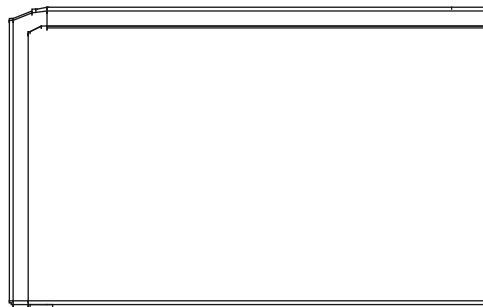
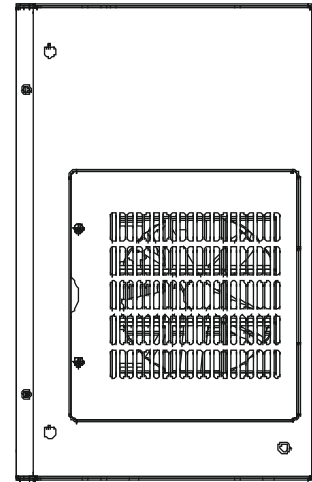
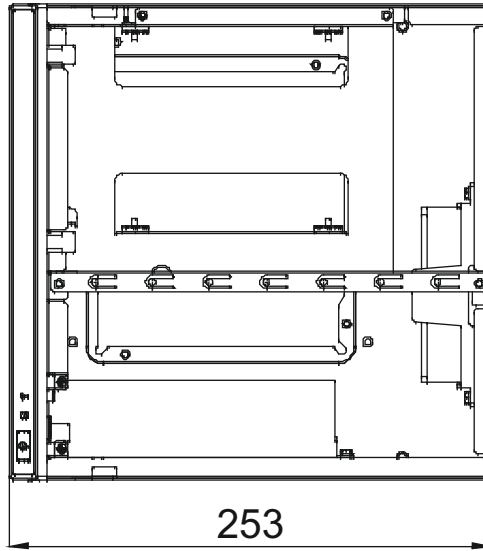
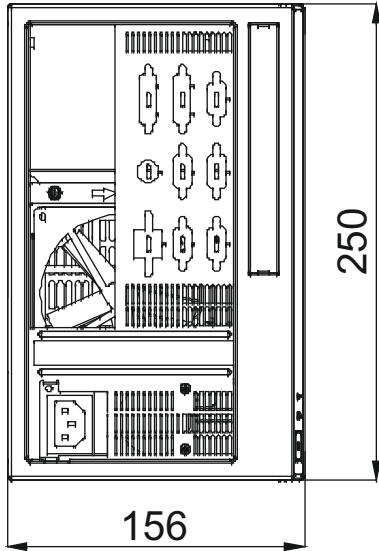
Construction	Black Steel Chassis
IP rating	None
Mounting	Wall Mounting
Dimension	250 x 156 x 253 mm
Net Weight	4,76 Kg

### Environment

Operating Temperature	0°-40°C
Storage Humidity	10-85%, 40°C non-condensing
Certification	CE FCC

### Operating System Support

Win 8.1	Windows 8.1 Embedded 64 Bit
Win 7	Windows 7 Pro 64 Bit WS7E or WS7P
Win 10	Windows 10 IoT 32/64 Bit



unit: mm