



Features

- _ HSA-150 with one front I/O expansion slot
- _ Various cut-outs for COM/DVI/LVDS,USBs/C-video
- _ Shockproof drive bay for slim ODD and 3.5" HDD
- _ Bottom door to access CF card or Mini-PCle card
- _ Support 180W Flex ATX power supply

Specifications

Processor System

CPU	Intel® Atom™ Baytrail-M/D Processor
Model	-
Core Number	4
Max Speed	(by CPU)
L3 Cache	2 MB
BIOS	UEFI

Expansion Slot

PCIe	1
Mini PCIe	1 (Half-size)
mSATA	1

Memory

Technology	Supports Dual Channel DDR3L 1333MHz SDRAM
Max. Socket	8 GB 2x SO-DIMM

Graphics

Controller	Intel® Gen7 Intel® Graphics DX 11, OGL3.2
VRAM	Shared Memory
VGA	Supports max. resolution 1920 x 1200
DVI	No
LVDS	Dual Channel 24-bit, max resolution up to 1920 x 1200 @ 60Hz
HDMI	Supports HDMI, max resolution up to 1920 x 1200
Display Port	No
Multi Display	Yes (Dual Display)

SATA

Max Data Transfer Rate	SATA2 (3.0Gb/s)
------------------------	-----------------

Ethernet

Interface Controller	10/100/1000 Mbps GbE LAN: 2x Realtek RTL8111G-CG
Connector	2 x RJ45

Rear I/O

VGA	1
DVI	0
HDMI	1
Display Port	0
Ethernet	2
USB	4 (2x USB 3.0, 2x USB 2.0)
Audio	2 (Mic-in, Line-out)
Serial	3 (RS 232/422/485)
PS/2	2 (1x keyboard, 1x mouse)

Power

Power Input	9-19V DC
Power Consumption	Typical +12V x 2A

Meccanical

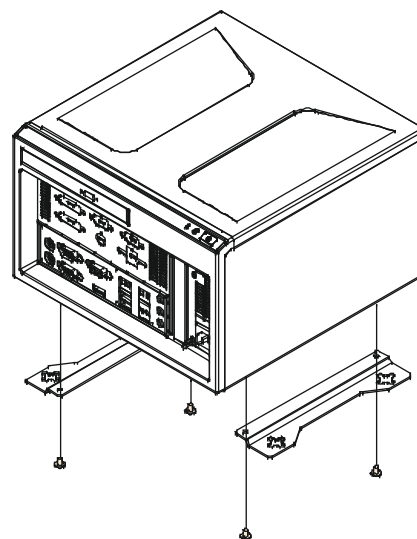
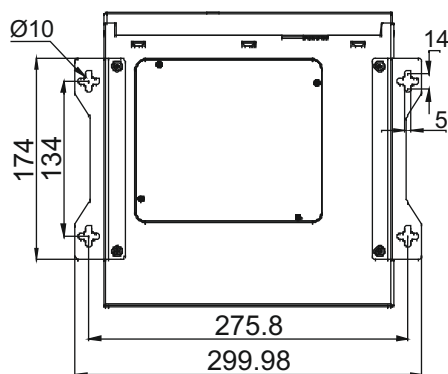
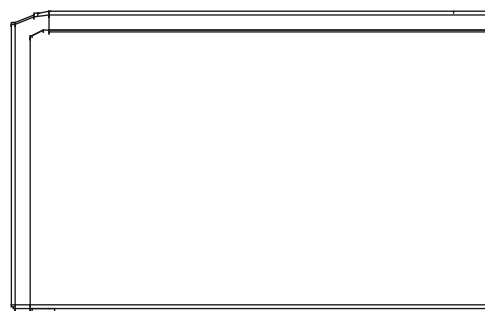
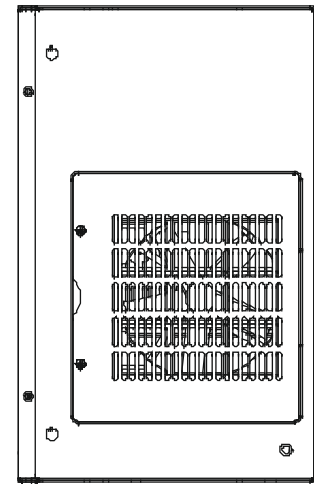
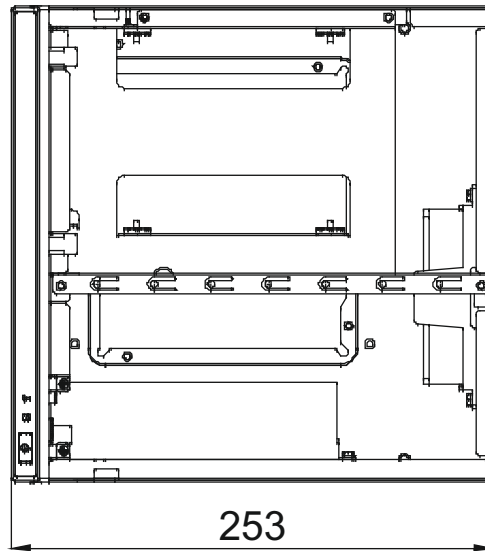
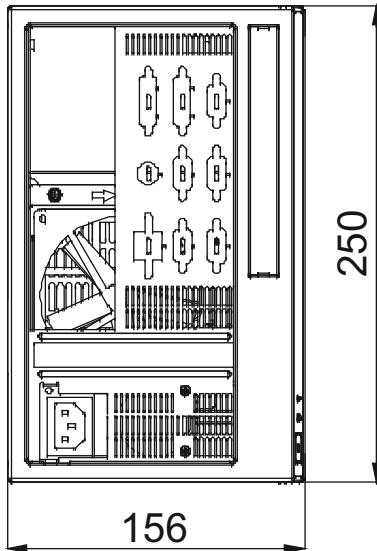
Construction	Black Steel Chassis
IP rating	None
Mounting	Wall Mounting
Dimension	250 x 156 x 253 mm
Net Weight	4,76 Kg

Environment

Operating Temperature	0°-60°C
Storage Humidity	10-85%, 40°C non-condensing
Certification	CE FCC

Operating System Support

Win 8.1	Windows 8.1 Embedded 64 Bit
Win 7	Windows 7 Pro 64 Bit WS7E or WS7P
Win 10	Windows 10 IoT 32/64 Bit



unit: mm