

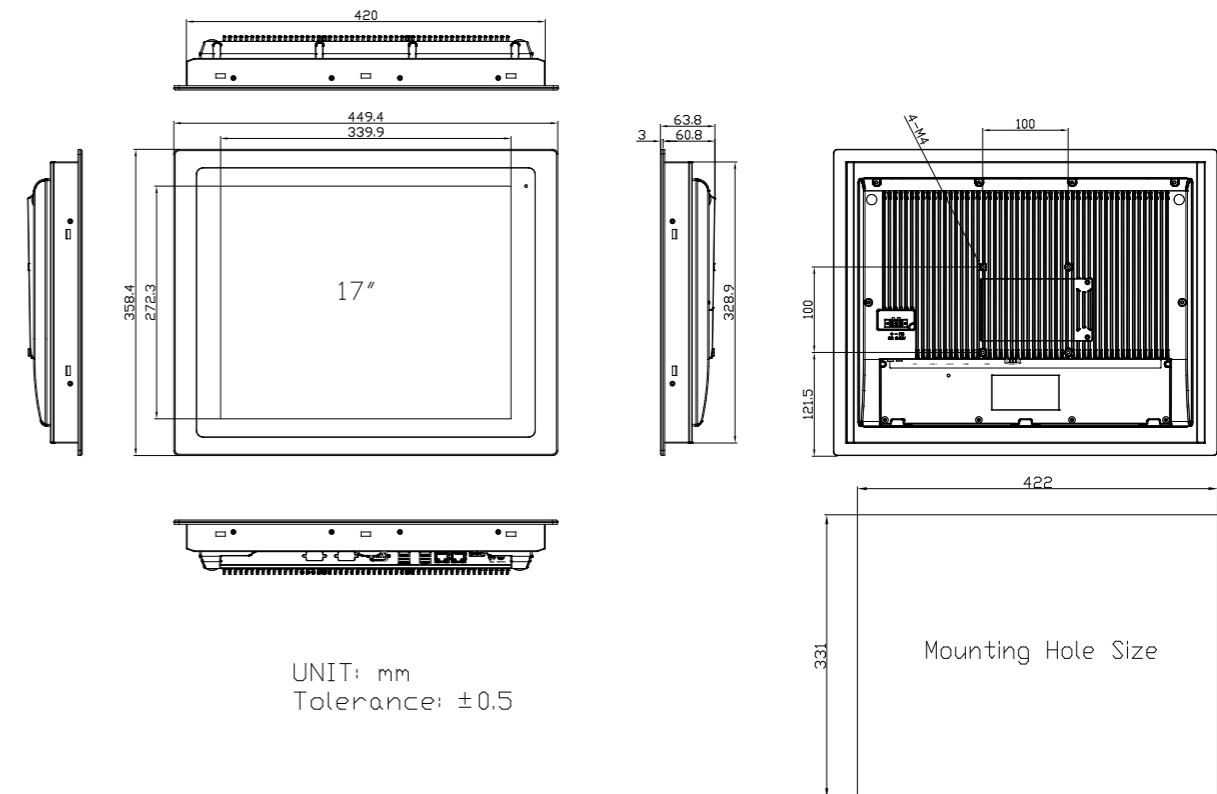
Features

- 17" Food Industrial Panel PC
- 8th Gen. Intel Core i3/i5, CPU built-in
- 1 x 260-pin SO-DIMM DDR4 slot, up to 32GB 2400MHz
- Flat Front Panel Touch Screen with IP66/IP69K Front Bezel
- SUS304 Stainless Steel (option SUS316L)
- DC 9~36V Wide Range Power Input
- Support TPM 2.0 Hardware Security

Specifications

System		
CPU	Onboard 8th Gen Intel Core i3-8145UE Processor (2C/4T,2.2GHz) Intel Core i5-8365UE Processor (4C/8T,1.6GHz)	
System Chipset	SoC	
Memory	1 x 260-pin SO-DIMM up to 32GB DDR4 2400MHz	
TPM	TPM 2.0	
IO Port		
USB	4 x USB 3.0 type A	
Serial / Parallel	1 x DB-9 connector, Including: * 1 x RS-232(RTS, Rx, Tx, CTS), pin1 RTS/5V/12V selectable via jumper (COM1) * 1 x RS-232(Tx, Rx)/422/485(COM2) by Y Cable	
LAN	2 x GbE LAN RJ-45	
Audio	1 x Line Out	
DP	1 x DP	
Power	1 x 3-pin Terminal Block Connector 1 x 2-pin Power Switch Connector	
Option	VESA Stand 4G LTE/Wi-Fi 4/5/6+/Bluetooth 4 x USB 2.0 type A (TB-528U4) 4 x USB 2.0 type A + 1 x Mini-PCIe + 1 x SIM slot (TB-528U4ME1) 2 x COM (RS-232) (TB-528C2) 1 x COM (RS-232) + 2 x USB 2.0 (TB-528C1U2) 1 x COM (RS-232) + 2 x USB 2.0 + 1 x Power Button (TB-528C1U2P1) 2 x COM (RS-232) + 1 x Mini-PCIe slot + 1 x SIM slot (TB-528C2ME1) 2 x COM (RS-422/485, isolated) (TB-528C2I) 2 x CAN (TB-528CAN2) 1 x LAN + 2 x USB 2.0 (TB-528E1U2) Backup Battery 21Wh/10.8V/1.95Ah(3S1P)	
Storage Space		
Storage	1 x M.2 M-Key slot (Support PCIe/SATA3; 2242/2280, Default 2242)	
Expansion		
Onboard Expansion Bus	1 x Mini-PCIe slot (full size), 1 x Nano SIM Card Holder	
Display		
	Standard	High Brightness Optional
Display Type	17" TFT-LCD	17" TFT-LCD
Max. Resolution	1280 x 1024	1280 x 1024
Max. Color	16.2M	16.7M
Luminance (cd/m ²)	350	1000
View Angle	170(H) / 160(V)	140(H) / 140(V)
Contrast	1000:1	800:1
Backlight Lifetime	30,000 hrs	50,000 hrs
Touch Screen		
Type	Projected Capacitive Touch (for BP model) Resistive Touch (for BR model)	
Interface	USB	
Light Transmission(%)	Resistive Touch: 80% Projected Capacitive: 90%	

Dimensions



Power	
Power Input	DC 9~36V
Power Consumption	FABS-917BP/R: 86W
Mechanical	
Construction	SUS304 Stainless Steel Front Bezel (default) SUS316L Stainless Steel Front Bezel (for option) Aluminum Die-casting Back Cover
Mounting	Panel Mount, VESA Mount 100 x 100
IP Rating	IP66/IP69K Compliant Front Bezel
Dimensions	449.4 x 358.4 x 63.8 mm
Net Weight	6.5 kg
Environmental	
Operating Temperature	0~50°C / -20~60°C (option)
Storage Temperature	-30~70°C
Humidity	10 to 95%@ 40°C, non-condensing
Certificate	CE/FCC Class A / EN 1672-2 Compliant for P Model (optional)
Operating System Support	
Windows	Windows 10 IoT, Windows 11 IoT
Ordering Information	
FABS-917BR	17" SXGA fanless HMI barebone with Intel 8th Gen. Core i3-8145UE/i5-8365UE, 1 x DDR4 slot, Resistive touch screen, 9~36VDC input with adapter, Stainless front bezel and Aluminum chassis.
FABS-917BP	17" SXGA fanless HMI barebone with Intel 8th Gen. Core i3-8145UE/i5-8365UE, 1 x DDR4 slot, Projected Capacitive touch, 9~36VDC input with adapter, Stainless front bezel and Aluminum chassis.
FABS-917BR(H)	17" High brightness SXGA fanless HMI barebone with Intel 8th Gen. Core i3-8145UE/i5-8365UE, 1 x DDR4 slot, Resistive touch screen, 9~36VDC input with adapter, Stainless front bezel and Aluminum chassis.
FABS-917BP(H)	17" High brightness SXGA fanless HMI barebone with Intel 8th Gen. Core i3-8145UE/i5-8365UE, 1 x DDR4 slot, Projected Capacitive touch, 9~36VDC input with adapter, Stainless front bezel and Aluminum chassis.