

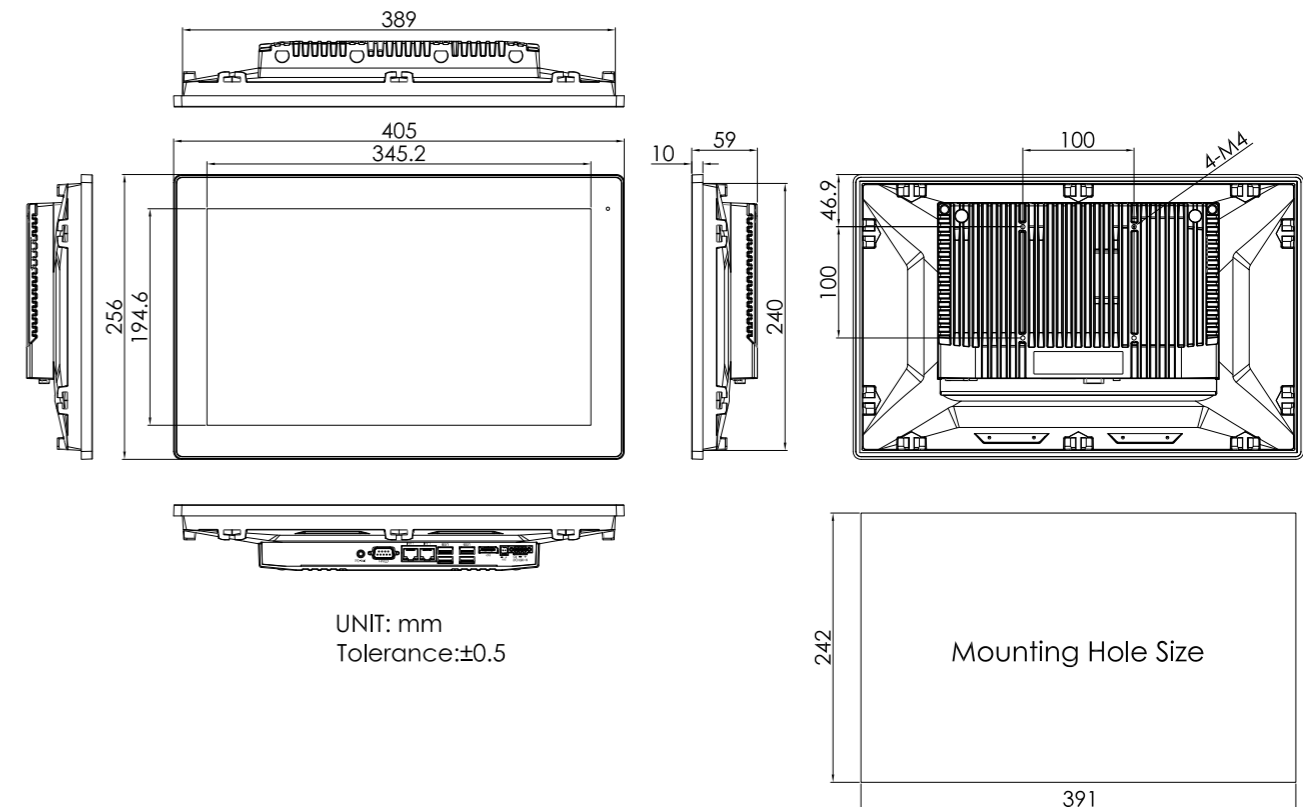
Features

- 15.6" Industrial Compact Size Panel PC
- 11th Gen. Intel Core i3/i5 Processor
- 2 x 260-pin SO-DIMM DDR4 slot, up to 64GB 3200MHz
- Flat Front Panel Touch Screen with IP66 front bezel
- Fanless Design
- DC 9~36V Wide-Ranging Power Input
- Support Expansion via Full-size Mini-PCIe and M.2 slots
- Support TPM 2.0 hardware security
- Easy Assembly Mounting Kits
- High Brightness 1,000 nits for option

Specifications

System											
CPU	11th Gen. Intel Core i3/i5 Processors Core i3-1115G4E (Dual Core, 6 MB cache, 2.20 GHz) Core i5-1145G7E (Quad Core, 8 MB cache, 1.50 GHz)										
System Chipset	SoC										
Memory	2 x 260-pin SO-DIMM up to 64GB DDR4 3200MHz										
TPM	TPM 2.0										
I/O Port											
USB	4 x USB 3.0 type A										
Serial	1 x DB-9 connector, including: * 1 x RS-232(RTS, Rx, Tx, CTS), pin1 RTS/5V/12V selectable via jumper (COM1) * 1 x RS-232(Tx, Rx)/422/485(COM2) by Y Cable										
Audio	1 x Line-out										
DP	1 x DP / HDMI										
LAN	1 x 1GbE, 1 x 2.5GbE LAN RJ-45										
Power	1 x 3-pin Terminal Block Connector 1 x 2-pin Power Switch Connector										
Option	4G LTE Wi-Fi + Bluetooth 4 x USB 2.0 type A (TB-528U4) 4 x USB 2.0 type A + 1 x Mini-PCIe + 1 x SIM slot (TB-528U4ME1) 1 x COM (RS-232) + 2 x USB 2.0 (TB-528C1U2) 1 x COM (RS-232) + 2 x USB 2.0 + 1 x Power Button (TB-528C1U2P1) 2 x COM (RS-232) (TB-528C2) 2 x COM (RS-232) + 1 x Mini-PCIe slot + 1 x SIM slot (TB-528C2ME1) 2 x COM (RS-422/485, isolated) (TB-528C2I) 2 x CAN (TB-528CAN2) 1 x LAN + 2 x USB 2.0 (TB-528E1U2) 1 x Backup Battery 1 x Cable Cover (TB-528 Series or backup battery only be inserted in either one) Either high brightness panel or backup battery can be installed in HMI										
Storage Space											
Storage	1 x M.2 M-Key 2280 (Support PCIe/SATA3, default SATA3)										
Expansion											
Onboard Expansion	1 x Mini-PCIe slot (full size) 1 x M.2 E-key for Wi-Fi/Bluetooth Module 1 x Nano SIM slot										
Display											
Display Type	Standard: 15.6" TFT-LCD High Brightness Optional: 15.6" TFT-LCD										
Max. Resolution	<table border="1"> <tr> <th></th> <th>default</th> <th>optional</th> <th>default</th> <th>optional</th> </tr> <tr> <td></td> <td>1366 x 768</td> <td>1920 x 1080</td> <td>1366 x 768</td> <td>1920 x 1080</td> </tr> </table>		default	optional	default	optional		1366 x 768	1920 x 1080	1366 x 768	1920 x 1080
	default	optional	default	optional							
	1366 x 768	1920 x 1080	1366 x 768	1920 x 1080							
Max. Color	16.7M										
Luminance (cd/m ²)	400										
View Angle	170(H)/160(V)										
Contrast	500:1										
Backlight Lifetime	50,000 hrs										

Dimensions



Touch Screen	
Type	Projected Capacitive Touch
Interface	USB
Light Transmission(%)	90%
Power	
Power Input	DC 9~36V
Power Consumption	AUHMI-916CP: 55W
Mechanical	
Construction	Aluminum Die-casting Chassis
Mounting	Panel Mount, VESA 100 x 100
Dimensions (WxHxD)	405 x 256 x 59 mm
IP Rating	IP66 Compliant Front Bezel
Net Weight	3.69 kg
Environmental	
Operating Temperature	0~50°C / -20~60°C (option)
Storage Temperature	-30~70°C
Humidity	10 to 90%@ 40°C, non-condensing
Certificate	CE/FCC, Class A
Operating System Support	
Windows 10 IoT, Windows 11 IoT	
Ordering Information	
AUHMI-916CP	15.6" HD/FHD fanless HMI barebone with Intel 11th Gen. Core i3-1115G4E/ i5-1145G7E, 2 x DDR4 slot, 1 x M.2 2280 SATA slot, 1 x M.2 E-key slot, Projected Capacitive touch, 9~36VDC input with adapter, Aluminum Die-cast chassis.
AUHMI-916CPH	15.6" HD/FHD high brightness fanless HMI barebone with Intel 11th Gen. Core i3-1115G4E/ i5-1145G7E, 2 x DDR4 slot, 1 x M.2 2280 SATA slot, 1 x M.2 E-key slot, Projected Capacitive touch, 9~36VDC input with adapter, Aluminum Die-cast chassis.

*PoE limitation: CPU turbo off, rear I/O no loading, 70% LED backlight, PSE cable length < 50m