

Features

- 15.6" Industrial Compact Size Panel PC
- Intel Celeron Processors
- 1 x 260-pin SO-DIMM DDR4 slot, up to 32GB 3200MHz
- Flat Front Panel Touch Screen with IP66 Front Bezel
- Fanless Design
- DC 9~36V Wide-Ranging Power Input
- Support Expansion via M.2 E-key and B-key slots
- Support TPM 2.0 Hardware Security
- Easy Assembly Mounting Kits
- High Brightness 1,000 nits for option

Specifications

System	
CPU	Intel Celeron J6412 (2.0GHz, 1.5MB L2 cache)
System Chipset	SoC
Memory	1 x 260-pin SO-DIMM up to 32GB DDR4 3200MHz
TPM	TPM 2.0

I/O Port	
USB	2 x USB 3.2 Gen2 type A 2 x USB 2.0 ,Type-A
Serial/Parallel	1 x RS-232/422/485 (Default RS-232; select via BIOS)
Audio	1 x Line Out
DP	1 x DP, support DP++
LAN	2 x 2.5GbE LAN RJ-45
Power	1 x 3-pin Terminal Block Connector 1 x 2-pin Power Switch Connector

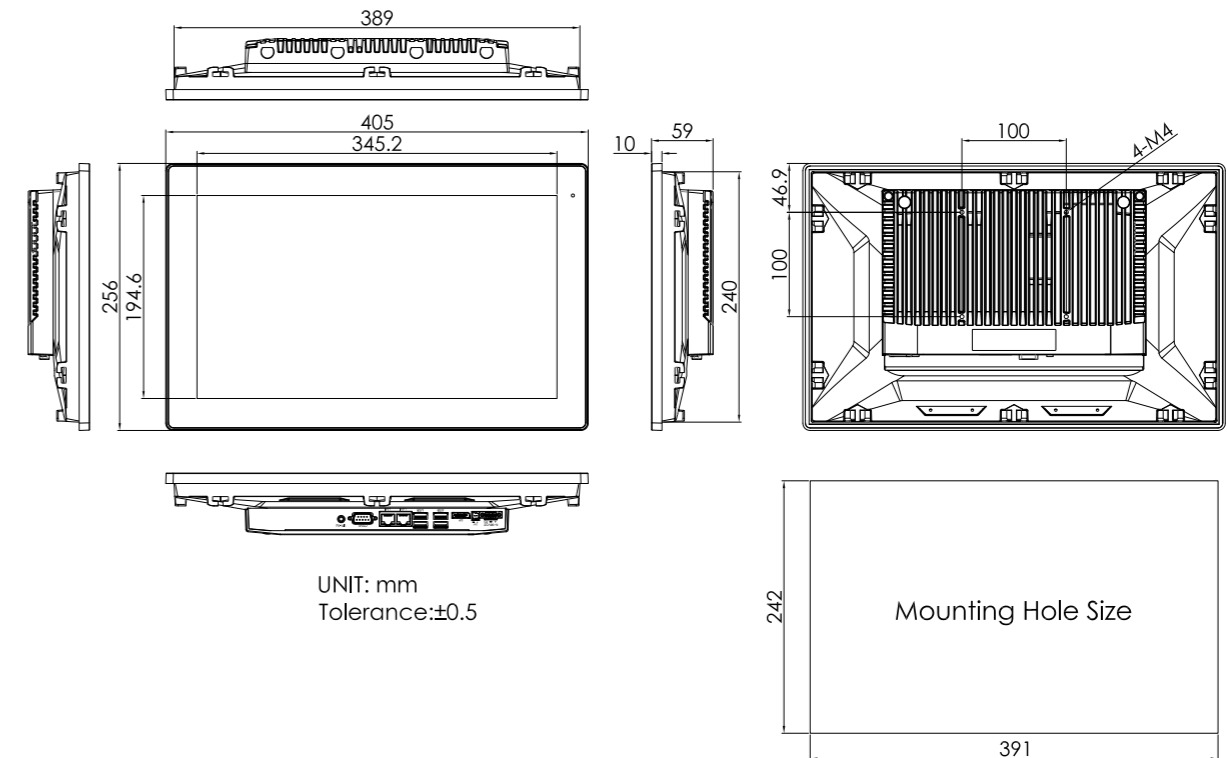
Option	
	4G LTE Wi-Fi + Bluetooth 4 x USB 2.0 type A (TB-528U4) 4 x USB 2.0 type A + 1 x Mini-PCle + 1 x SIM slot (TB-528U4ME1) 1 x COM (RS-232) + 2 x USB 2.0 (TB-528C1U2) 1 x COM (RS-232) + 2 x USB 2.0 + 1 x Power Button (TB-528C1U2P1) 2 x COM (RS-232) (TB-528C2) 2 x COM (RS-232) + 1 x Mini-PCle slot + 1 x SIM slot (TB-528C2ME1) 2 x COM (RS-422/485, isolated) (TB-528C2I) 2 x CAN (TB-528CAN2) 1 x LAN + 2 x USB 2.0 (TB-528E1U2) 1 x Backup Battery (10.8V/3150mAh) 1 x Cable Cover (TB-528 Series or backup battery only be inserted in either one) Either high brightness panel or backup battery can be installed in HMI

Storage Space	
Storage	1 x M.2 B-Key 2280 (Support SATA3)

Expansion	
Onboard Expansion	1 x M.2 E-key, 1 x M.2 B-Key, 1 x Nano SIM slot

Display	Standard		High Brightness Optional	
	15.6" TFT-LCD		15.6" TFT-LCD	
Display Type	default	optional	default	optional
Max. Resolution	1366 x 768	1920 x 1080	1366 x 768	1920 x 1080
Max. Color	16.7M	16.7M	16.7M	16.7M
Luminance (cd/m ²)	400	500	1000	1000
View Angle	170(H)/160(V)	178(H)/178(V)	160(H)/160(V)	170(H)/170(V)
Contrast	500:1	1000:1	500:1	1000:1
Backlight Lifetime	50,000 hrs	50,000 hrs	50,000 hrs	50,000 hrs

Dimensions



Touch Screen	
Type	Projected Capacitive Touch
Interface	USB
Light Transmission(%)	90%

Power	
Power Input	DC 9~36V
Power Consumption	AUHMI-816BP: 40W

Mechanical	
Construction	Aluminum Die-casting Chassis
Mounting	Panel Mount, VESA 100 x 100
Dimensions (WxHxD)	405 x 256 x 59 mm
IP Rating	IP66 Compliant Front Bezel
Net Weight	3.7 kg

Environmental	
Operating Temperature	0~50°C / -20~60°C (option)
Storage Temperature	-30~70°C
Humidity	10 to 95%@ 40°C, non-condensing
Certificate	CE/FCC, Class B

Operating System Support	
	Windows 10 IoT, Windows 11 IoT

Ordering Information	
AUHMI-816BP	15.6" HD/FHD fanless HMI barebone with Intel Celeron J6412, 1 x DDR4 slot, 1 x M.2 2280 SATA slot, 1 x M.2 E key slot, 1 x M.2 B key slot, Projected Capacitive touch, 9~36V DC input with adapter, Aluminum Die-casting chassis.
AUHMI-816BPH	15.6" HD/FHD high brightness fanless HMI barebone with Intel Celeron J6412, 1 x DDR4 slot, 1 x M.2 2280 SATA slot, 1 x M.2 E key slot, 1 x M.2 B key slot, Projected Capacitive touch, 9~36V DC input with adapter, Aluminum Die-casting chassis.