

# ARMPAC-621P



## Features

- ◆ ARM Based HMI
- ◆ Fanless design
- ◆ Flat front panel touch screen
- ◆ Freescale i.MX6 DualLite/ARM Cortex A9 processor
- ◆ Onboard 1GB DDR3 DRAM
- ◆ Onboard 4GB eMMC Flash
- ◆ DC 9~36V wide-ranging power input
- ◆ LED backlight LCD
- ◆ Resistive touch window/Projected capacitive touch

## Specifications

### System

CPU	Freescale i.MX6 DualLite ARM Cortex A9 processor 1.0GHz
Memory	Onboard 1GB DDR3 DRAM

### External I/O Port

USB	2 x USB 2.0 type A 1 x USB 2.0 (Micro B Type)
Serial/Parallel	1 x RS-232/422/485 DB-9, COM1
LAN	1 x LAN Port
Power	1 x 9~36V DC Power Input via 1 x 3-pin Terminal Block
Option	TB-508 WIFI/3G Module via Mini-PCIe

### Internal I/O Port

Internal IO Port	1 x SIM card slot 1 x Micro SD slot
------------------	--

### Storage Space

Storage	Onboard 4GB eMMC NAND Flash
---------	-----------------------------

### Expansion

On board expansion bus	1 x Mini PCIe slot full size
------------------------	------------------------------

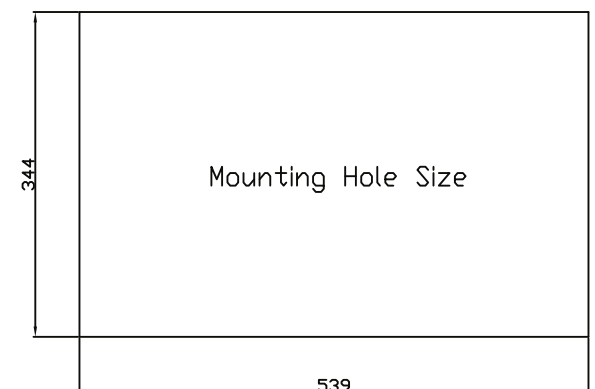
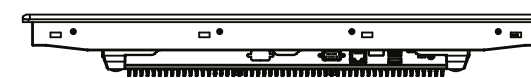
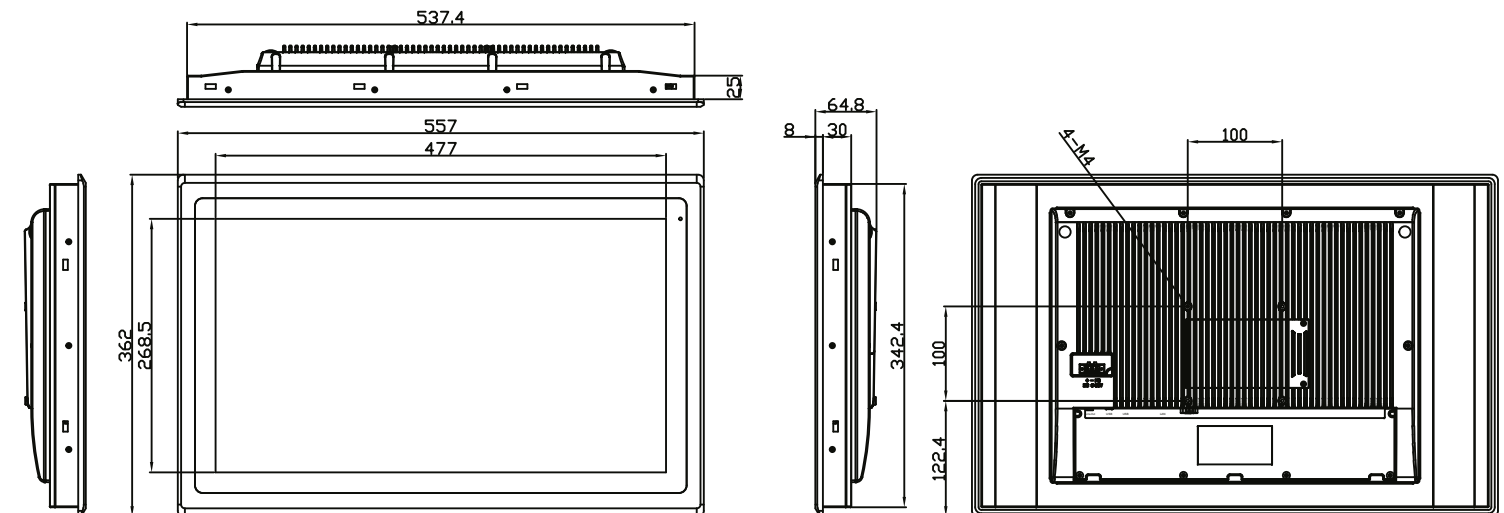
### Display

Display Type	21.5" TFT-LCD
Max. Resolution	1920 x 1080
Max. Color	16.7M
Luminance (cd/m <sup>2</sup> )	300
Viewing Angle (H°/V°)	178 (H) / 178 (V)
Contrast Ratio	3000: 1
Backlight Lifetime	50,000 hrs

### Touch screen- Resistive Touch Window Type

Interface	SPI
Light Transmission(%)	Over 80%

## Dimensions



### Touch screen-Projected Capacitive Touch Type

Interface	USB
Light Transmission(%)	Over 90%

### Power

Power Input	9~36V DC
Power Consumption	Max: 10.8W

### Mechanical

Front Bezel	Aluminum / Panel Mounting
Rear Bezel	Aluminum / VESA 100 x 100
Chassis Color	RAL 9007
IP Rating	IP66
Dimensions	557 x 362 x 64.8 mm

### Environmental

Operating Temperature	0~50°C
Storage Temperature	-20~60°C
Storage Humidity	10 to 90%@ 40°C, non-condensing
Certificate	CE / FCC Class A

### Operating System Support

Android® 6.0.1 / Linux® 4.1.15 + QT 5.6.2

### Ordering Information

<b>ARMPAC-621R</b>	21.5" FHD fanless HMI barebone with Freescale i.MX6 DualLite ARM Cortex A9, 1GB DDR3 RAM, 4GB eMMC, Resistive touch, 9~36V DC input without Power Adapter, Aluminum Chassis
<b>ARMPAC-621P</b>	21.5" FHD fanless HMI barebone with Freescale i.MX6 DualLite ARM Cortex A9, 1GB DDR3 RAM, 4GB eMMC, P. Capacitive touch, 9~36V DC input without Power Adapter, Aluminum Chassis



www.hardware-solutions.it

