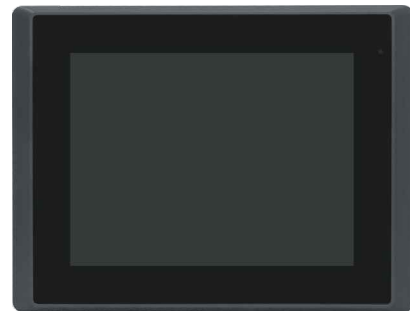


ARMPAC-608P



Features

- ◆ ARM Based HMI
- ◆ Fanless design
- ◆ Flat front panel touch screen
- ◆ Freescale i.MX6 DualLite ARM Cortex A9 processor
- ◆ Onboard 1GB DDR3 DRAM
- ◆ Onboard 4GB eMMC Flash
- ◆ DC 9~36V wide-ranging power input
- ◆ LED backlight LCD
- ◆ Resistive touch window/Projected capacitive touch

Specifications

System

CPU	Freescale i.MX6 DualLite ARM Cortex A9 processor 1.0GHz
Memory	Onboard 1GB DDR3 DRAM

External I/O Port

USB	2 x USB 2.0 type A 1 x USB 2.0 (Micro B Type)
Serial/Parallel	1 x RS-232/422/485 DB-9, COM1
LAN	1 x LAN Port
Power	1 x 9~36V DC Power Input via 1 x 3-pin Terminal Block
Option	TB-508 WIFI/3G Module via Mini-PCIe

Internal I/O Port

Internal IO Port	1 x SIM card slot 1 x Micro SD slot
------------------	--

Storage Space

Storage	Onboard 4GB eMMC NAND Flash
---------	-----------------------------

Expansion

On board expansion bus	1 x Mini PCIe slot full size
------------------------	------------------------------

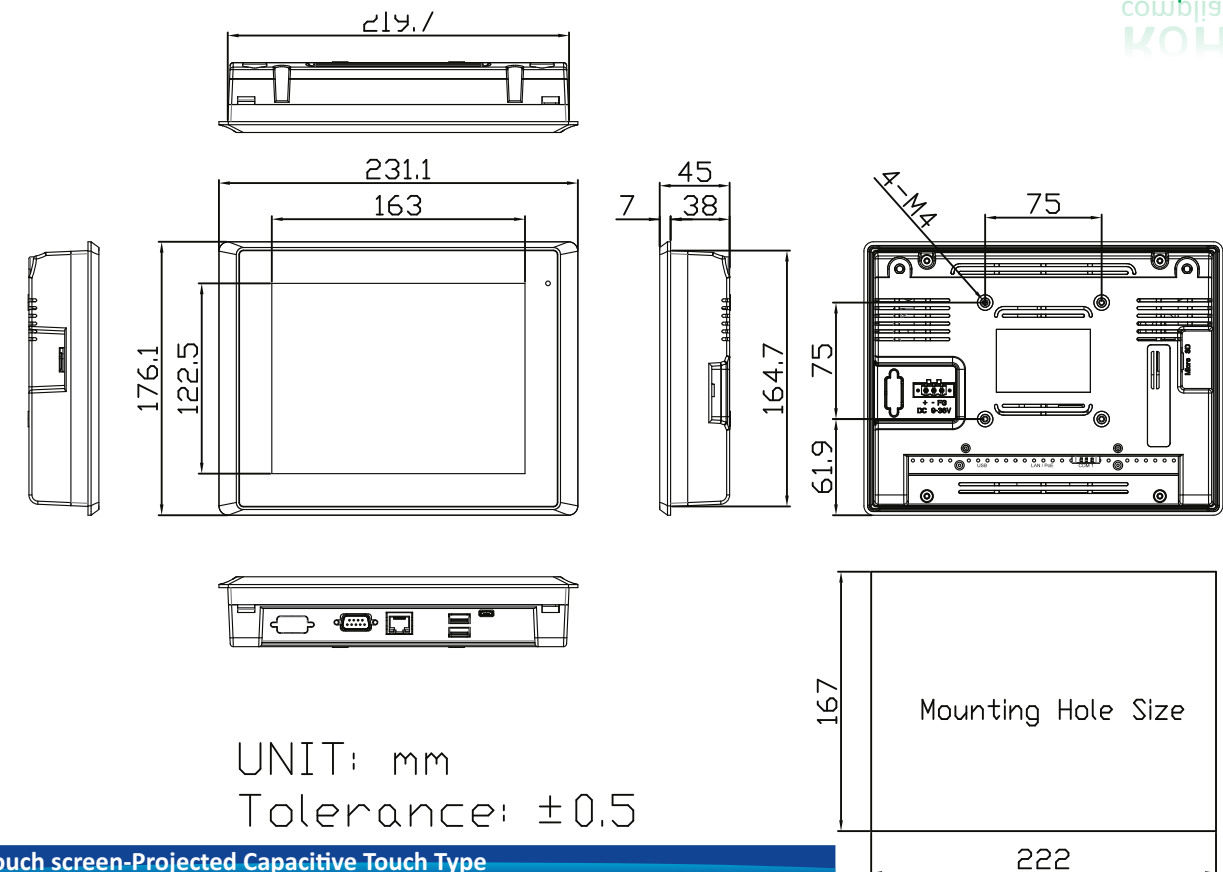
Display

Display Type	8" TFT-LCD
Max. Resolution	800 x 600
Max. Color	262K
Luminance (cd/m ²)	350
Viewing Angle (H°/V°)	140 (H) / 135 (V)
Contrast Ratio	500: 1
Backlight Lifetime	40,000 hrs

Touch screen- Resistive Touch Window Type

Interface	SPI
Light Transmission(%)	Over 80%

Dimensions



Touch screen-Projected Capacitive Touch Type

Interface	USB
Light Transmission(%)	Over 90%

Power

Power Input	9~36V DC
Power Consumption	Max: 6.9 W

Mechanical

Front Bezel	Plastic / Panel Mount
Rear Bezel	Plastic / VESA 75 x 75
Chassis Color	Pantone Cool Gray 11C
IP Rating	IP65 Front Panel
Dimensions	231.1 x 176.1 x 45 mm

Environmental

Operating Temperature	0~50°C
Storage Temperature	-20~60°C
Storage Humidity	10 to 90%@ 40°C, non-condensing
Certificate	CE / FCC Class A

Operating System Support

Android® 6.0.1 / Linux® 4.1.15 + QT 5.6.2

Ordering Information

ARMPAC-608R	8" SVGA fanless HMI barebone with Freescale i.MX6 DualLite ARM Cortex A9, 1GB DDR3 RAM, 4GB eMMC, Resistive touch, 9~36V DC input without Power Adapter, plastic Chassis
ARMPAC-608P	8" SVGA fanless HMI barebone with Freescale i.MX6 DualLite ARM Cortex A9, 1GB DDR3 RAM, 4GB eMMC, P. Capacitive touch, 9~36V DC input without Power Adapter, plastic Chassis



www.hardware-solutions.it

