

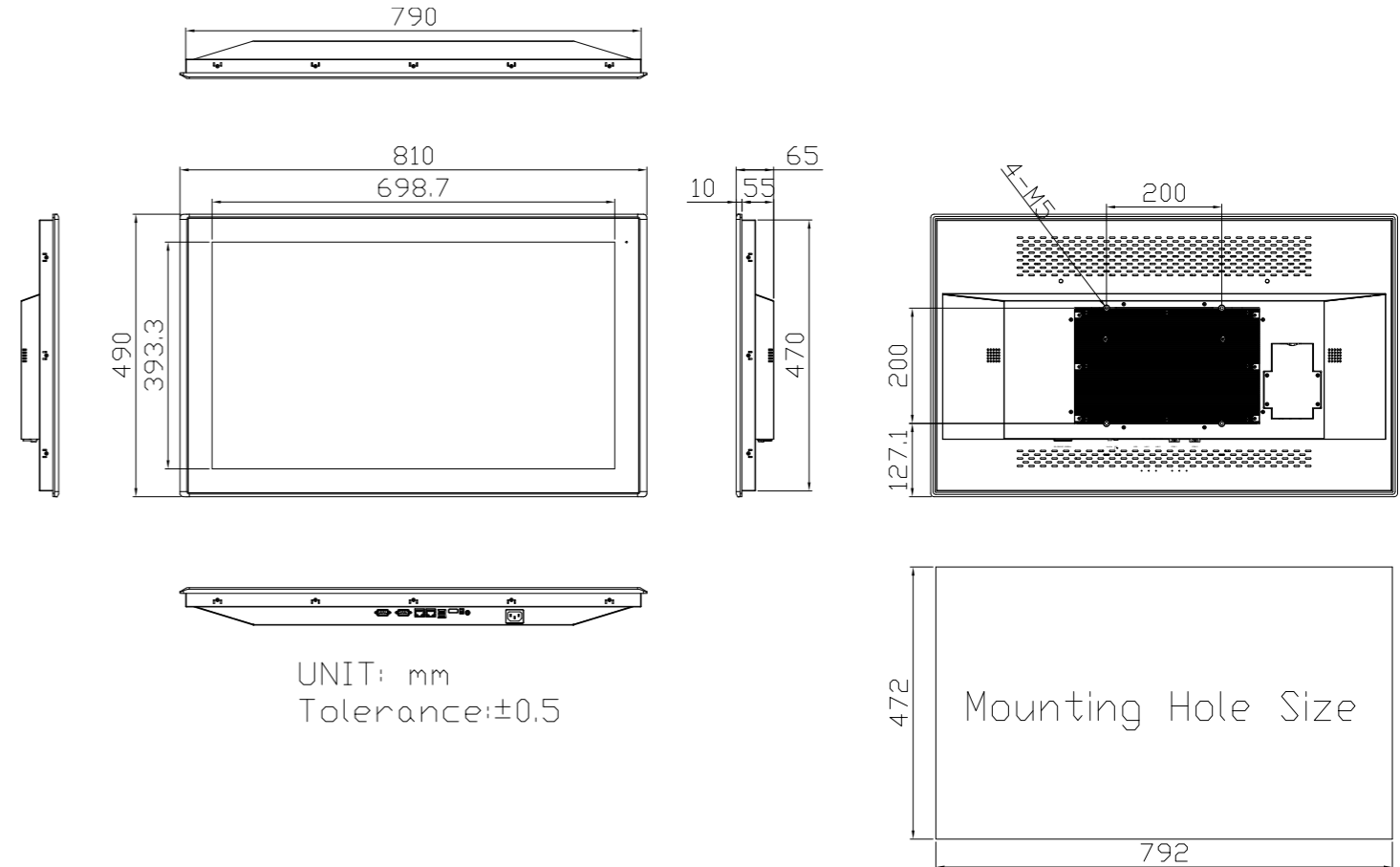
Features

- 32" Industrial Compact Size Panel PC
- 6th Gen. Intel Core i3/i5, CPU built-in
- 1 x 260-pin SO-DIMM DDR4 up to 16GB 2133MHz
- Flat Front Panel Touch Screen
- Fanless Design
- DC 9~36V Wide-Ranging Power Input
- Optional Projected Capacitive Touch Screen Support 7H Anti-Scratch Surface

Specifications

System	
CPU	Onboard 6th Gen Intel Core i3-6100U Processor(3M Cache,2.30 GHz) / Intel Core i5-6300U Processor(3M Cache,2.30 GHz)
System Chipset	SoC
Memory	1 x 260-pin SO-DIMM DDR4 up to 16GB 2133MHz
I/O Port	
USB	2 x USB 3.0 type A
Serial / Parallel	1 x RS-232/422/485 DB9 (COM1), default RS-232 1 x RS-232 DB9 (COM2)
Audio	1 x Audio Line Out
LAN	2 x GbE LAN RJ-45
Power	1 x AC Power Input 1 x 2-pin Power Switch Connector
Option	VESA Stand 4G LTE/Wi-Fi/BT 4 x USB 2.0 type A (TB-528U4) 4 x USB 2.0 type A + 1 x Mini PCIe + 1 SIM slot (TB-528U4ME1) 1 x COM + 2 x USB 2.0 (TB-528C1U2) 1 x COM (RS-232) + 2 x USB 2.0 + 1 x Power Button (TB-528C1U2P1) 2 x COM (RS-232) (TB-528C2) 2 x COM (RS-232) + 1 x Mini PCIe slot + 1 x SIM slot (TB-528C2ME1) 2 x COM (RS-232/485, isolated) (TB-528C2I) 2 x CAN (TB-528CAN2) 1 x LAN + 2 x USB 2.0 (TB-528E1U2)
Storage Space	
HDD	1 x 2.5" SATA3 HDD space
Expansion	
Onboard expansion bus	1 x Mini-PCIe slot (full size)
Display	
Display Type	32" TFT-LCD
Max. Resolution	1920 x 1080
Max. Color	16.7M
Luminance (cd/m ²)	500
View Angle	178(H) / 178(V)
Contrast	3000:1
Backlight Lifetime	50,000 hrs
Touch Screen	
Type	Projected Capacitive Touch (for AP Model)
Interface	USB
Light Transmission(%)	Projected Capacitive Touch: 90%

Dimensions



Power	
Power Input	AC 90~264V
Power Consumption	ARCHMI-932AP: 80W
Mechanical	
Construction	Aluminum Die-casting Chassis
Mounting	Panel Mount, VESA 200 x 200
Dimensions (WxHxD)	810 x 490 x 65 mm
IP Rating	IP66 Compliant Front Bezel
Net Weight	17.4 kg
Environmental	
Operating Temperature	0~50°C
Storage Temperature	-30~70°C
Humidity	10 to 90%@ 40°C, non-condensing
Certificate	CE / FCC, Class A / UL
Operating System Support	
Windows 10 IoT	
Ordering Information	
ARCHMI-932AP	32" FHD fanless HMI barebone with Intel 6th Gen. Core i3-6100U CPU, 1 x SO-DIMM(260pins), up to 16GB DDR4 2133MHz, Projected Capacitive touch, AC 90~264V input, Aluminum chassis.