

Features

- 15" Industrial Compact Size Panel PC
- 6th Gen. Intel Core i3/i5, CPU built-in
- 1 x 260-pin SO-DIMM DDR4 up to 16GB 2133MHz
- Flat Front Panel Touch Screen
- Fanless Design
- DC 9~36V Wide-Ranging Power Input
- Optional Projected Capacitive Touch Screen Support 7H Anti-Scratch Surface
- High Brightness 1,000 nits for option

Specifications

System	
CPU	Onboard 6th Gen Intel Core i3-6100U Processor(3M Cache,2.30 GHz) / Intel Core i5-6300U Processor(3M Cache,2.30 GHz)
System Chipset	SoC
Memory	1 x 260-pin SO-DIMM DDR4 up to 16GB 2133MHz
I/O Port	
USB	2 x USB 3.0 type A
Serial / Parallel	1 x RS-232/422/485 DB9 (COM1), default RS-232 1 x RS-232 DB9 (COM2)
Audio	1 x Audio Line Out
LAN	2 x GbE LAN RJ-45
Power	1 x 3-pin Terminal Block Connector 1 x 2-pin Power Switch Connector
Option	VESA Stand 4G LTE/WiFi/ BT 4 x USB 2.0 type A (TB-528U4) 4 x USB 2.0 type A + 1 x Mini-PCle + 1 x SIM slot (TB-528U4ME1) 2 x COM (RS-232) (TB-528C2) 1 x COM (RS-232) + 2 x USB 2.0 (TB-528C1U2) 1 x COM (RS-232) + 2 x USB 2.0 + 1 x Power Button (TB-528C1U2P1) 2 x COM (RS-232) + 1 x Mini-PCle slot + 1 x SIM slot (TB-528C2ME1) 2 x COM (RS-422/485, isolated) (TB-528C2I) 2 x CAN (TB-528CAN2) 1 x LAN + 2 x USB 2.0 type A (TB-528E1U2) 1 x LAN(45W isolated PoE PD) + 2 x USB 2.0 type A (TB528E1U2UPOE) Backup Battery 21Wh/10.8V/1.95Ah(3S1P) System is only allowed to build in either I/O board TB-528 series or backup battery
Storage Space	
HDD	1 x 2.5" SATA3 HDD space
Expansion	
Onboard expansion bus	1 x Mini-PCle slot (full size)

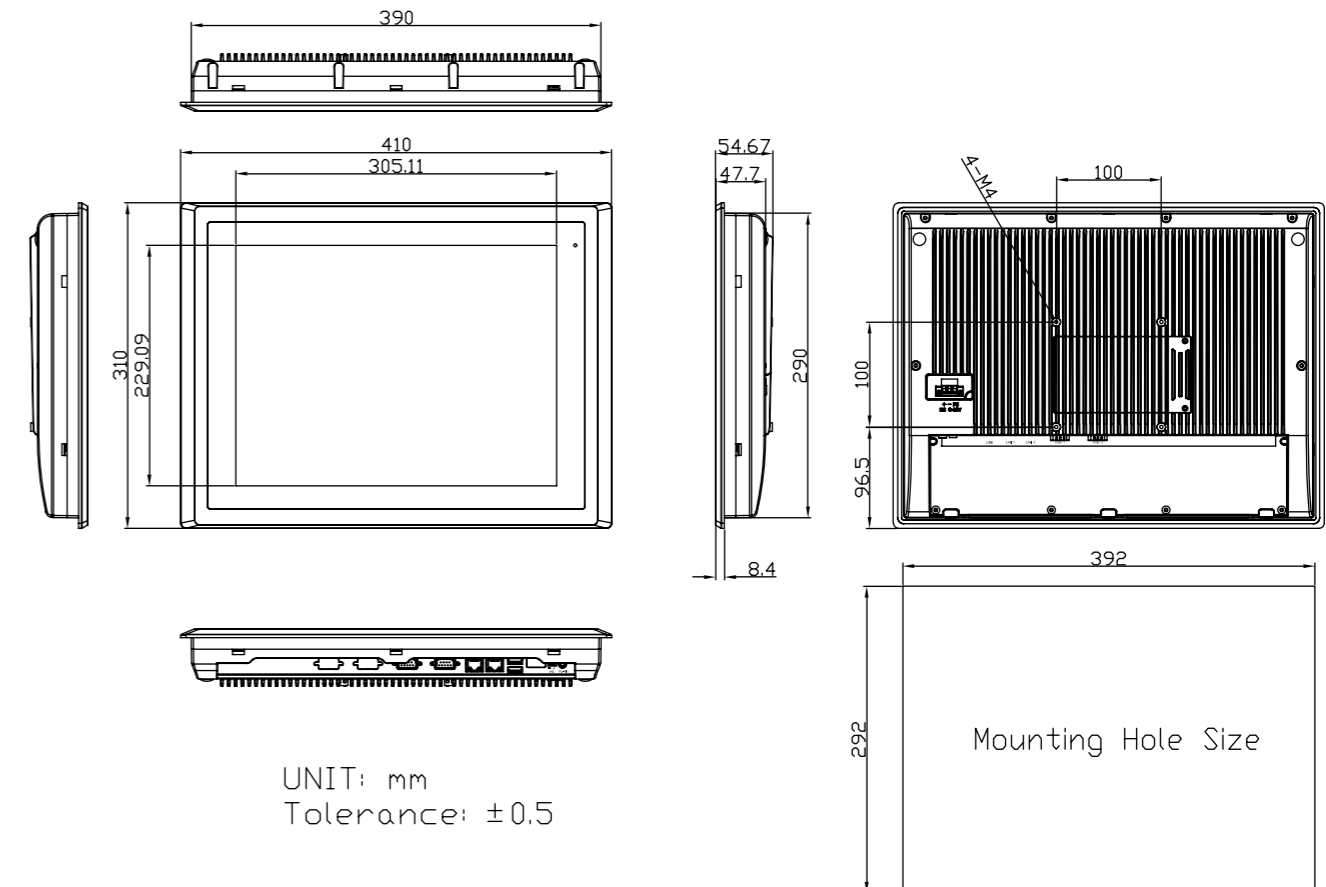
Storage Space	
HDD	1 x 2.5" SATA3 HDD space

Expansion	
Onboard expansion bus	1 x Mini-PCle slot (full size)

Display	Standard	High Brightness Optional
Display Type	15" TFT LCD	15" TFT LCD
Max. Resolution	1024 x 768	1024 x 768
Max. Color	16.2M	16.7M
Luminance (cd/m ²)	300	1000
View Angle	176(H) / 176(V)	176(H) / 176(V)
Contrast	1000:1	800:1
Backlight Lifetime	70,000 hrs	70,000 hrs

Touch Screen	
Type	Resistive Touch (for AR Model) Projected Capacitive Touch (for AP Model)
Interface	USB
Light Transmission(%)	Resistive Touch: 80% Projected Capacitive Touch: 90%

Dimensions



Power	
Power Input	DC 9~36V
Power Consumption	ARCHMI-915AR: 41W (MAX)

Mechanical	
Construction	Aluminum Die-casting Chassis
Mounting	Panel Mount, VESA 100 x 100
Dimensions (WxHxD)	410 x 310 x 54.67 mm
IP Rating	IP66 Compliant Front Bezel
Net Weight	4.4 kg

Environmental	
Operating Temperature	0~50°C / -20~60°C (option)
Storage Temperature	-30~70°C
Humidity	10 to 90%@ 40°C, non-condensing
Certificate	CE / FCC, Class A / UL

Operating System Support	
Windows 10 IoT	

Ordering Information	
ARCHMI-915AR	15" XGA fanless HMI barebone with Intel 6th Gen. Core i3-6100 CPU, 1 x SO-DIMM(260pins), Up to 16GB DDR4 2133MHz, Resistive touch screen, 9~36VDC input with adapter, Aluminum chassis.
ARCHMI-915AP	15" XGA fanless HMI barebone with Intel 6th Gen. Core i3-6100 CPU, 1 x SO-DIMM(260pins), Up to 16GB DDR4 2133MHz, Projected Capacitive touch screen, 9~36VDC input with adapter, Aluminum chassis