

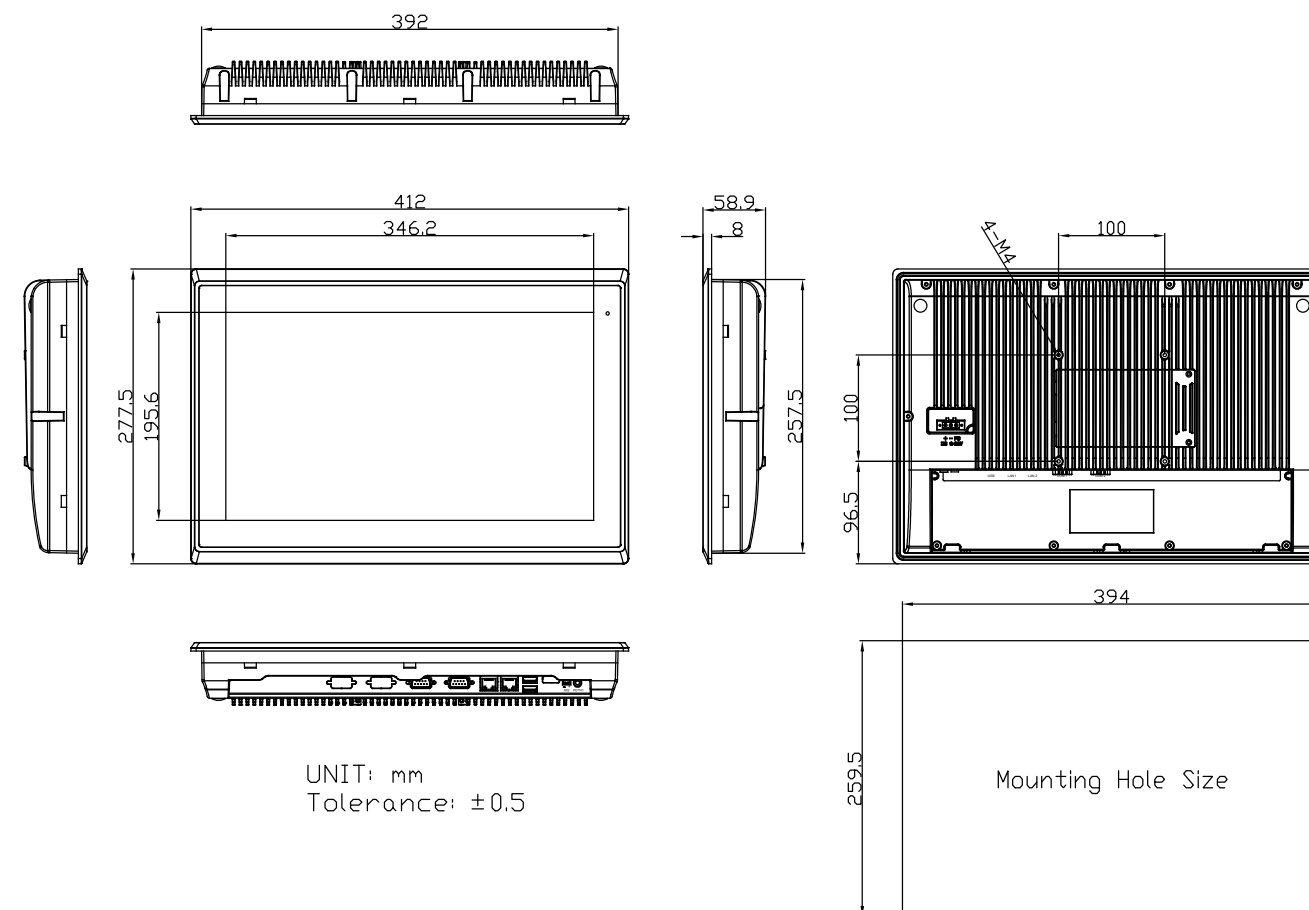
**Features**

- 15.6" Industrial Compact Size Panel PC
- Apollo Lake Intel N4200/ N3350 (option)
- On Board 4GB/ 8GB DDR3L 1600MHz
- Flat Front Panel Touch Screen
- IP66 Compliant Front Panel
- Optional Projected Capacitive Touchscreen Support 7H Anti-scratch Surface
- DC 9~36V Wide-ranging Power Input
- High Brightness 1,000 nits for option

**Specifications**

System				
CPU	Intel Pentium N4200 Processor (2M Cache, 1.1GHz) / Celeron N3350 Processor (2M Cache, 1.1GHz)			
System Chipset	SoC			
Memory	Onboard 4GB DDR3L SDRAM, up to 8GB (option)			
I/O Port				
USB	2 x USB 3.0 type A			
Serial / Parallel	1 x RS-232/422/485 DB9 (COM1), default RS-232 1 x RS-232 DB9 (COM2)			
Audio	1 x Audio Line Out			
LAN	2 x GbE LAN RJ-45			
Power	1 x 3-pin Terminal Block Connector 1 x 2-pin Power Switch connector			
Option	VESA Stand 4G LTE/WiFi/ BT 4 x USB 2.0 type A (TB-528U4) 4 x USB 2.0 type A + 1 x Mini-PCIe + 1 x SIM slot (TB-528U4ME1) 2 x COM (RS-232) (TB-528C2) 1 x COM (RS-232) + 2 x USB 2.0 (TB-528C1U2) 1 x COM (RS-232) + 2 x USB 2.0 + 1 x Power Button (TB-528C1U2P1) 2 x COM (RS-232) + 1 x Mini-PCIe slot + 1 x SIM slot (TB-528C2ME1) 2 x COM (RS-422/485, isolated) (TB-528C2I) 2 x CAN (TB-528CAN2) 1 x LAN + 2 x USB 2.0 type A (TB-528E1U2) 1 x LAN(45W isolated PoE PD) + 2 x USB 2.0 type A (TB528E1U2UPOE) Backup Battery 21W/10.8V/1.95Ah(3S1P) System is only allowed to build in either TB-528 PoE series or backup battery			
Storage Space				
HDD	1 x 2.5" SATA3 HDD space			
Movable Device	1 x Micro SD card slot			
Expansion				
Onboard Expansion bus	1 x Mini-PCIe slot (full size) 1 x Micro SIM slot			
Display				
	<b>Standard</b>	<b>High Brightness Optional</b>		
Display Type	15.6" TFT-LCD		15.6" TFT-LCD	
Max. Resolution	1366 x 768	1920 x 1080	1366 x 768	1920 x 1080
Max. Color	16.7M	16.2M	16.7M	16.2M
Luminance (cd/m <sup>2</sup> )	400	450	1000	1000
View Angle	170(H)/160(V)	170(H)/170(V)	160(H)/160(V)	170(H)/170(V)
Contrast	500:1	800:1	500:1	800:1
Backlight Lifetime	50,000 hrs	50,000 hrs	50,000 hrs	50,000 hrs
Touch Screen				
Type	Resistive Touch (for AR Model) Projected Capacitive Touch (for AP Model)			
Interface	USB			
Light Transmission(%)	Resistive Touch: 80% Projected Capacitive Touch: 90%			

**Dimensions**



Power	
Power Input	DC 9~36V
Power Consumption	ARCHMI-816AP: 30W (MAX)

Mechanical	
Construction	Aluminum Die-casting Chassis
Mounting	Panel Mount, VESA 100 x 100
Dimensions (WxHxD)	412 x 277.5 x 58.9 mm
IP Rating	IP66 Compliant Front Bezel
Net Weight	4.8 kg

Environmental	
Operating Temperature	0~50°C / -20~60°C (option)
Storage Temperature	-30~70°C
Humidity	10 to 90% @ 40°C, non-condensing
Certificate	CE/FCC Class A/UL

Operating System Support	
Windows 10 IoT	

