

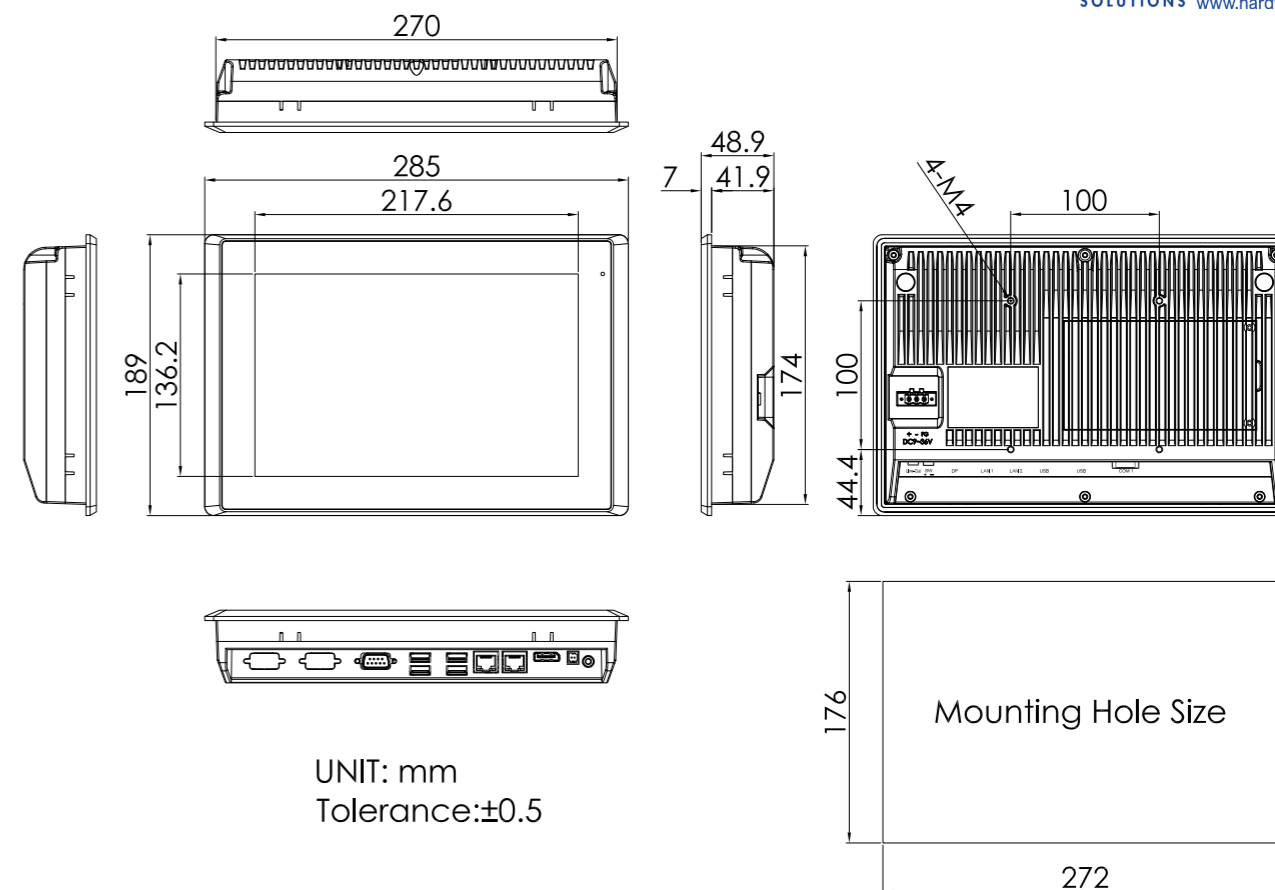
**Features**

- 10.1" Industrial Compact Size Panel PC
- Intel Celeron J6412 Processor
- 1 x 260-pin SO-DIMM DDR4 slot, up to 32GB 3200MHz
- Flat Front Panel Touch Screen with IP66 Front Bezel
- Support Expansion via Full-size Mini-PCIe and M.2 slots
- Support TPM2.0 Hardware Security
- DC 9~36V Wide Range Power Input
- High Brightness 1,000 nits for option

**Specifications**

System		
CPU	Intel Celeron J6412 Processor (1.8GHz, 1.5MB L2 cache)	
System Chipset	SoC	
Memory	1 x 260-pin SO-DIMM up to 32GB DDR4 3200MHz	
I/O Port		
USB	2 x USB 3.2 Gen2 type A 2 x USB 2.0 type A	
Serial / Parallel	1 x RS-232/422/485 (Default RS-232; select via BIOS)	
Audio	1 x Audio Line Out	
LAN	2 x 2.5GbE LAN RJ-45	
DP	1 x DP, support DP++	
Power	1 x 3-pin Terminal Block Connector 1 x 2-pin Power Switch Connector	
Option	VESA Stand 4G LTE/WiFi/BT 4 x USB 2.0 type A (TB-528U4) 4 x USB 2.0 type A + 1 x Mini-PCIe + 1 x SIM slot (TB-528U4ME1) 2 x COM (RS-232) (TB-528C2) 1 x COM (RS-232) + 2 x USB 2.0 (TB-528C1U2) 1 x COM (RS-232) + 2 x USB 2.0 + 1 x Power Button (TB-528C1U2P1) 2 x COM (RS-232) + 1 x Mini-PCIe slot + 1 x SIM slot (TB-528C2ME1) 2 x COM (RS-422/485, isolated) (TB-528C2I) 2 x CAN (TB-528CAN2) 1 x LAN + 2 x USB 2.0 type A (TB-528E1U2) 1 x 2W Speaker 1 x Auto Dimming *TB-528 series, speaker only be in either one	
Storage Space		
Storage	1 x M.2 B-Key slot (Support SATA3; 2242/2280, Default 2242)	
Expansion		
Onboard Expansion Bus	1 x Mini-PCIe slot (full size) 1 x M.2 E-key 1 x Nano SIM Card Holder	
Display		
	<b>Standard</b>	<b>High Brightness Optional</b>
Display Type	10.1" TFT-LCD	10.1" TFT-LCD
Max. Resolution	1280 x 800	1280 x 800
Max. Color	16.7M	16.2M
Luminance (cd/m <sup>2</sup> )	350	1000
View Angle	170(H) / 170(V)	170(H) / 170(V)
Contrast	800:1	1300:1
Backlight Lifetime	30,000 hrs	50,000 hrs
Touch Screen		
Type	Resistive Touch (for BR Model) Projected Capacitive Touch (for BP Model)	
Interface	USB	
Light Transmission(%)	Resistive Touch: 80% Projected Capacitive Touch: 90%	

**Dimensions**



Power	
Power Input	DC 9~36V
Power Consumption	TBD
Mechanical	
Construction	Aluminum Die-casting Chassis
Mounting	Panel Mount, VESA 100 x 100
Dimensions (WxHxD)	285 x 189 x 48.9 mm
IP Rating	IP66 Compliant Front Bezel
Net Weight	TBD
Environmental	
Operating Temperature	0~50°C / -20~60°C (option)
Storage Temperature	-30~70°C
Humidity	10 to 95% @ 40°C, non-condensing
Certificate	Meet CE/FCC class A
Operating System Support	
Windows 10 IoT, Windows 11	
Ordering Information	
ARCHMI-810BR	10.1" WXGA fanless HMI barebone with Intel Celeron J6412 processor, 1 x DDR4 slot, Resistive touch screen, 9~36V DC input with adapter, Aluminum chassis.
ARCHMI-810BP	10.1" WXGA fanless HMI barebone with Intel Celeron J6412 processor, 1 x DDR4 slot, Projected Capacitive touch, 9~36V DC input with adapter, Aluminum chassis.
ARCHMI-810BR(H)	10.1" high brightness WXGA fanless HMI barebone with Intel Celeron J6412 processor, 1 x DDR4 slot, Resistive touch screen, 9~36V DC input with adapter, Aluminum chassis.
ARCHMI-810BP(H)	10.1" high brightness WXGA fanless HMI barebone with Intel Celeron J6412 processor, 1 x DDR4 slot, Projected Capacitive touch, 9~36V DC input with adapter, Aluminum chassis.