

AEx-915A



Features

- ◆ 15" TFT-LCD
- ◆ Intel® 6th Gen. Core™ i5/i3 Processors
- ◆ SUS316 Stainless Steel
- ◆ Total IP66 Grade with M12 Waterproof Connector
- ◆ Variety of IO applications
- ◆ Wide range DC 9~36V Power Input
- ◆ Support Panel Mount & VESA Mount
- ◆ Support Projected Capacitive Touch
- ◆ Full Flat Bezel and Fanless Design
- ◆ ATEX Zone2, IECEx and C1D2 Certified

Specifications

System

CPU	Intel® 6th Gen. Core™ i5-6300U/i3-6100U
System Chipset	SoC
Memory	1 x 260-pin SO-DIMM DDR4 2400MHz, up to 16GB

IO Port

Standard	1 x M12 8pin for LAN with Metal Waterproof CAP 1 x M12 8pin for COM1/RS-232/422/485 (Default RS-232) with Metal Waterproof CAP 1 x M12 8pin for 2 x USB 2.0 with Metal Waterproof CAP 1 x M16 3pin for DC Power with Metal Waterproof CAP
----------	--

Optional	2 x optional blank M12 connectors with waterproof cap for selecting two from the following options: (1) 2 x M12 8pin for 2 x USB 3.0 (2) 2 x M12 8pin for 1 x USB 3.0 + 2 x USB 2.0 (3) 2 x M12 8pin for 1 x RS-232 + 2 x USB 2.0 (4) 2 x M12 8pin for 1 x USB 3.0 + 1 x RS-232 (5) 1 x M12 8pin for LAN + 1 x M12 12pin for VGA
----------	---

Storage Space

Storage	1 x 2.5" SATA HDD or SSD space
---------	--------------------------------

Expansion

Expansion Slot	1 x Mini PCIe Full size slot (Wifi module, mSATA SSD, Either One)
----------------	---

Display	Standard	High Brightness Optional
Display Type	15" Color TFT-LCD	15" Color TFT-LCD
Max. Resolution	1024 x 768	1024 x 768
Max. Color	16.2M	16.2M
Luminance (cd/m ²)	450	1000
View Angle	H: 160/ V:150	H: 160/ V:150
Contrast	800:1	800:1
Backlight Lifetime	50,000 hrs	50,000 hrs

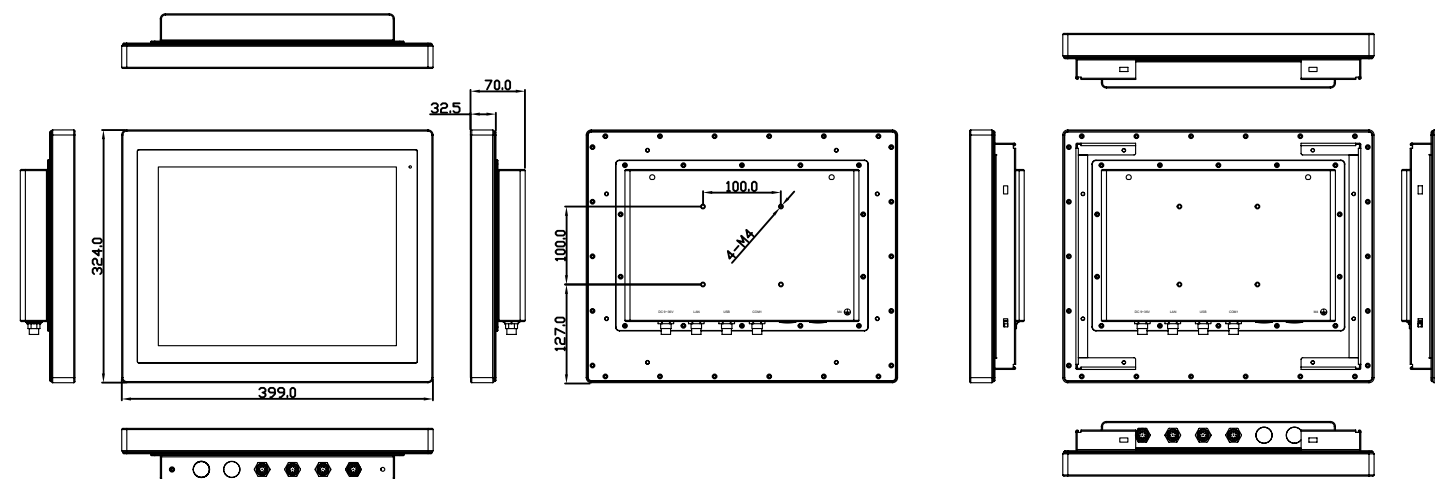
Touch Screen

Type	Projected Capacitive Touch
Interface	USB
Light Transmission(%)	90%

Power

Power Input	DC 9~36 V
Power Consumption	MAX: 59.5 W

Dimensions



UNIT: mm
Tolerance: ±0.5

Mechanical

Construction	316 Stainless Steel Chassis
Mounting	VESA Mount 100 x100 / Panel Mount
IP Rating	Total IP66 6 sides
Dimensions	399 x 324 x 70 mm
Net Weight	9.8 Kg

Environmental

Operating Temperature	-20~60°C
Storage Temperature	-30~70°C
Storage Humidity	10 to 90%@ 40°C, non-condensing
Certificate	Meet CE / FCC Class A ATEX / IECEx / C1D2 Zone 2

Operating System Support

Windows® 7 Embedded Standard
Windows® Embedded Standard 7
Windows® Embedded 8.1 Pro
Windows® Embedded 8.1 Industry Pro
Windows® 10 IOT Enterprise LTSB 2016

Ordering information

AEx-915AP	15"/1024x768/i5-6300U/PCT/16GB DDR4/256GB SSD/64GB SSD/9~36V
AEx-915APH	15"/HB 1000nits/1024x768/i5-6300U/PCT/16GB DDR4/256GB SSD/64GB SSD/9~36V



www.hardware-solutions.it



915A