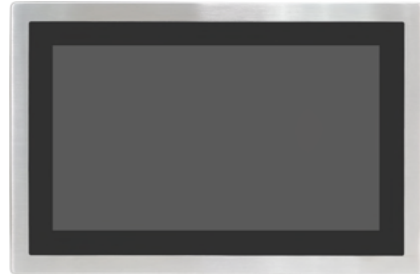


AEx-816



Features

- ◆ 15.6" TFT-LCD
- ◆ Intel® Celeron™ N2930 Processor
- ◆ SUS316 Stainless Steel
- ◆ Total IP66 Grade with M12 Waterproof Connector
- ◆ Variety of IO applications
- ◆ Wide range DC 9~36V Power Input
- ◆ Support Panel Mount & VESA Mount
- ◆ Support Projected Capacitive Touch
- ◆ Full Flat Bezel and Fanless Design
- ◆ ATEX Zone2, IECEx and C1D2 Certified

Specifications

System

CPU	Intel® Celeron™ N2930 Processor
System Chipset	SoC
Memory	4GB DDR3L on board, 8GB for Option

IO Port

Standard	1 x M12 8pin for LAN with Metal Waterproof CAP 1 x M12 8pin for COM1/RS-232/422/485 (Default RS-232) with Metal Waterproof CAP 1 x M12 8pin for 2 x USB 2.0 with Metal Waterproof CAP 1 x M16 3pin for DC Power with Metal Waterproof CAP
----------	--

Optional	2 x optional blank M12 connectors with waterproof cap for selecting two from the following options: (1) 2 x M12 8pin for 2 x USB 3.0 (2) 2 x M12 8pin for 1 x USB 3.0 + 2 x USB 2.0 (3) 2 x M12 8pin for 1 x RS-232 + 2 x USB 2.0 (4) 2 x M12 8pin for 1 x USB 3.0 + 1 x RS-232 (5) 1 x M12 8pin for LAN + 1 x M12 12pin for VGA
----------	---

Storage Space

Storage	1 x 2.5" SATA HDD or SSD space 1 x Internal SD Card slot on board
---------	--

Expansion

Expansion Slot	1 x Mini PCIe Full size slot (Wifi module, mSATA SSD, Either One)
----------------	---

Display

Display Type	15.6" Color TFT-LCD
Max. Resolution	1920 x 1080
Max. Color	16.7M
Luminance (cd/m ²)	400
View Angle	H: 160/ V:140
Contrast	700:1
Backlight Lifetime	50,000 hrs

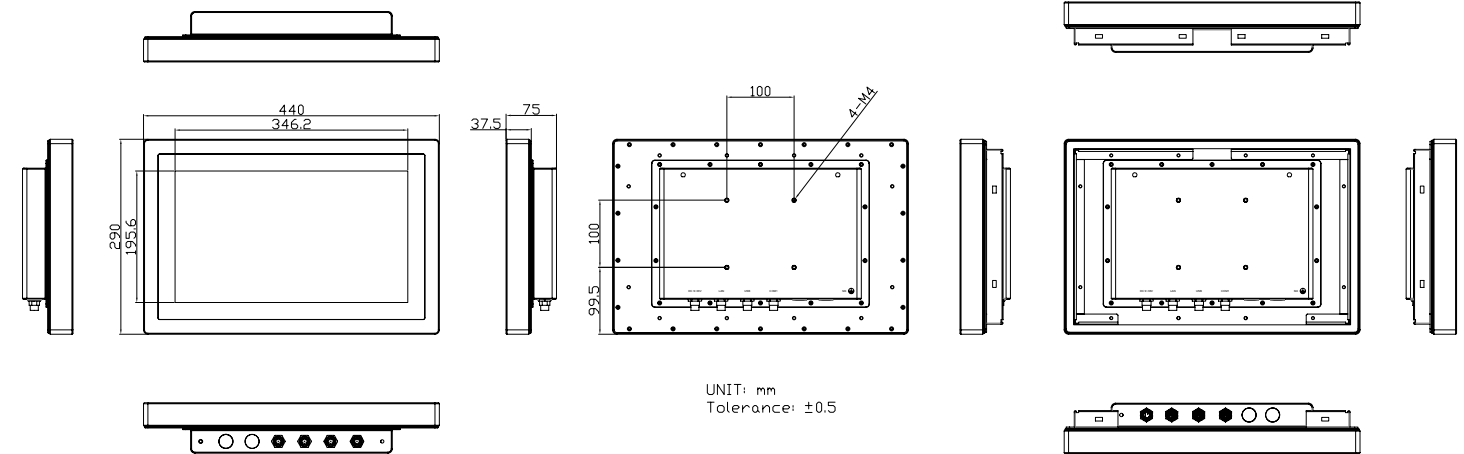
Touch Screen

Type	Projected Capacitive Touch
Interface	USB
Light Transmission(%)	90%

Power

Power Input	DC 9~36 V
Power Consumption	MAX: 24.7 W

Dimensions



Mechanical

Construction	316 Stainless Steel Chassis
Mounting	VESA Mount 100 x 100 / Panel Mount
IP Rating	Total IP66 6 sides
Dimensions	440 x 290 x 75 mm
Net Weight	10.1 Kg

Environmental

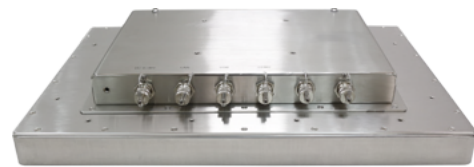
Operating Temperature	-20~60°C
Storage Temperature	-30~70°C
Storage Humidity	10 to 90% @ 40°C, non-condensing
Certificate	Meet CE / FCC Class A ATEX / IECEx / C1D2 Zone 2

Operating System Support

Windows® 7 Embedded Standard
Windows® Embedded Standard 7
Windows® Embedded 8.1 Pro
Windows® Embedded 8.1 Industry Pro
Windows® 10 IOT Enterprise LTSB 2016

Ordering information

AEx-816PF 15.6"/FHD/1920x1080/N2930/PCT/8GB DDRL3/128GB SSD/64GB SSD/9~36V



www.hardware-solutions.it



8XX