


AEx-115



Features

- ◆ SUS316 Stainless Steel
- ◆ Total IP66 Grade with M12 Waterproof Connector
- ◆ Wide range DC 9~36V Power Input
- ◆ Support Panel Mount & VESA Mount
- ◆ Support Projected Capacitive Touch
- ◆ Full Flat Bezel and Fanless Design
- ◆ Stainless Steel OSD Function Key
- ◆ ATEX Zone2, IECEx and C1D2 Certified
 - IECEx Certification: Ex nA ic IIC T4 Gc
 - ATEX Certification:  II 3 G
 - C1D2 Certification: Class I, Division 2, Groups A, B, C, D T4

Specifications

I/O Port

Outside I/O Port
 1 x M16 3pin DC Power with Metal Waterproof CAP
 1 x M12 12pin for VGA with Metal Waterproof CAP
 1 x M12 USB for Touch Control with Metal Waterproof CAP
 External OSD BOX design with M12 3M OSD Cable with waterproof CAP

Display	Standard	High Brightness Optional
Display Type	15" Color TFT-LCD	15" Color TFT-LCD
Max. Resolution	1024 x 768	1024 x 768
Max. Color	16.2M	16.2M
Luminance (cd/m ²)	450	1000
View Angle	H: 160/ V:150	H: 160/ V:150
Contrast	800:1	800:1
Backlight Lifetime	50,000 hrs	50,000 hrs

Touch Screen

Type Projected Capacitive Touch
 Interface USB
 Light Transmission(%) 90%

Power

Power Input DC 9~36 V
 Power Consumption MAX: 21.6 W

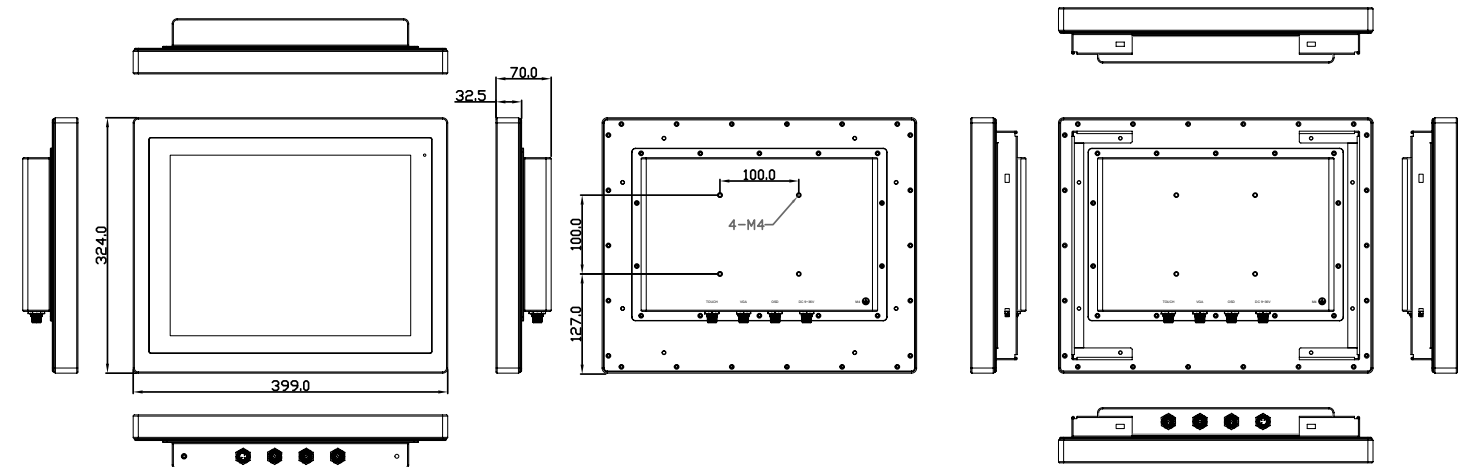
Mechanical

Construction 316 Stainless Steel Chassis
 Mounting VESA Mount 100 x100 / Panel Mount
 IP Rating Total IP66 6 sides
 Dimensions 399 x 324 x 70 mm
 Net Weight 8.5 Kg

Environmental

Operating Temperature -20~60°C
 Storage Temperature -30~70°C
 Storage Humidity 10 to 90%@ 40°C, non-condensing
 Certificate Meet CE / FCC Class A

Dimensions



UNIT: mm
 Tolerance: ±0.5



www.hardware-solutions.it

Ordering information

AEx-115P 15"/IP65/VGA/OSD/PCT/9~36V
 AEx-115PH 15"/HB 1000nits/IP65/VGA/OSD/PCT/9~36V