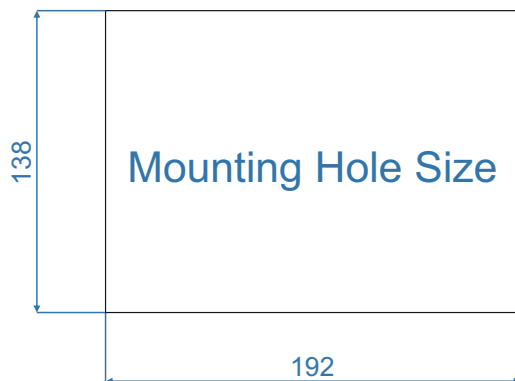
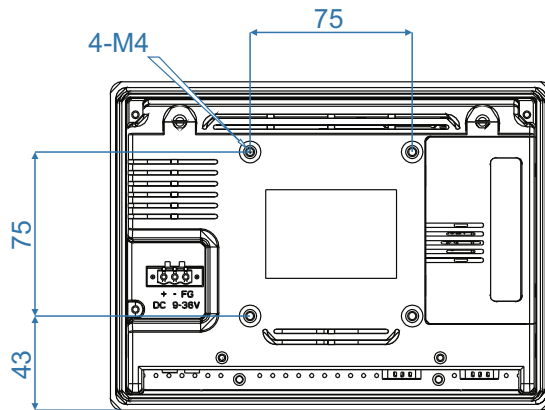
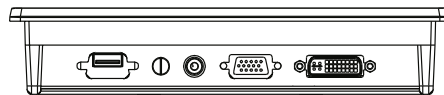
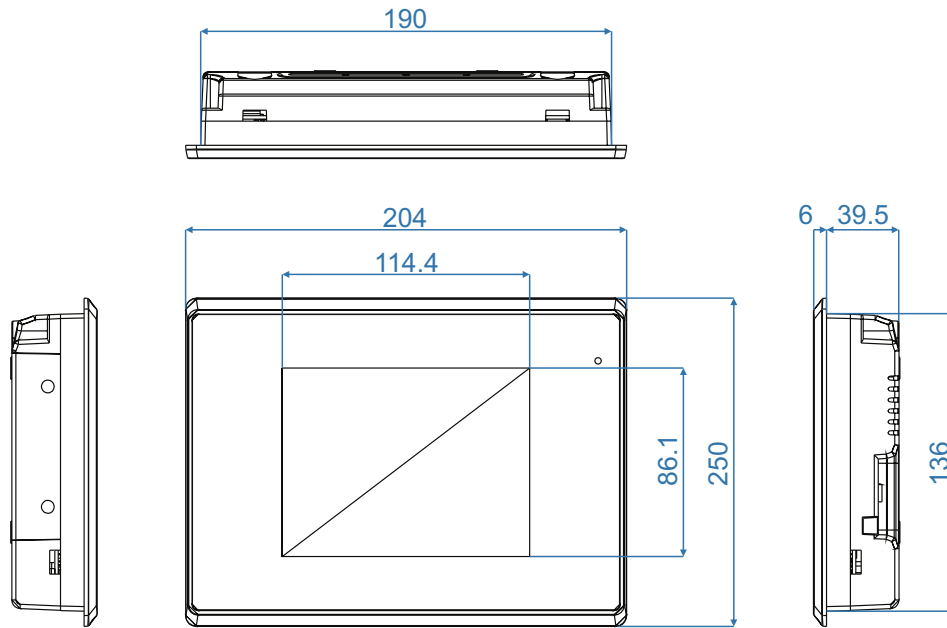


Features

- 5.6" TFT LCD Backlight with resolution of 640 x 480
- Plastic Housing
- Resistive Touch Screen
- Wide-Ranging 9~36V DC Power Input



I/O Port	
VGA	1
DVI	1
HDMI	None
S-Video	None
OSD Control Membrane	5 Keys at Rear
Other	RS-232 Interface for Touch, 1 x RCA(option)
Power connector	3 Pins Terminal Block Connector
Display	
Display type	5.6" TFT-LCD
Max. resolution	640 x 480
Max. color	262K
Luminance(cd/m ²)	350
View angle(H°/V°)	140/120
Contrast	500:1
Backlight lifetime(hrs)	20000
Touch Screen	
Type	Resistive Touch / Projected Capacitive Touch (option)
Interface	RS-232(RES) or USB(PCT)
Light transmission(%)	80%~87%
Power	
Power input	9~36V DC
Power Consumption	TBD
Mechanical	
Construction	Plastic
IP rating	IP65 Front Bezel
Mounting	Panel Mounting, VESA 75 x 75
Dimension(mm)	204 x 150 x 42
Net weight(Kg)	TBD
Environment	
Operating temperature(°C)	0~50
Storage temperature(°C)	-20~60
Storage humidity	10 to 90% @ 40°C, non- condensing
Certification	CE/FCC class A



UNIT: mm
Tolerance: 0.5+/-