

# AEx-2410



## Features

- ◆ Intel® Celeron™ N2930 Processor
- ◆ SUS316 Stainless Steel
- ◆ Total IP66 Grade with M12 Waterproof Connector
- ◆ Variety of IO applications
- ◆ WLAN for Option
- ◆ Wide range DC 9~36V Power Input
- ◆ Support Panel Mount & VESA Mount
- ◆ Fanless Design
- ◆ ATEX Zone2, IECEx and C1D2 Certified

## Specifications

### System

CPU	Intel® Celeron™ N2930 Processor
System Chipset	SoC
Memory	4GB DDR3L on board, 8GB for Option

### IO Port

Standard	1 x M12 8pin for LAN with Metal Waterproof CAP 1 x M12 8pin for COM1/RS-232/422/485 (Default RS-232) with Metal Waterproof CAP 1 x M12 8pin for 2 x USB 2.0 with Metal Waterproof CAP 1 x M16 3pin for DC Power with Metal Waterproof CAP 1 x M12 12pin for VGA with Metal Waterproof CAP
Optional	1 x optional blank M12 connectors with waterproof cap for selecting one from the following options: (1) 1 x M12 8pin for 1 x USB 3.0 (2) 1 x M12 8pin for 1 x RS-232 (3) 1 x M12 8pin for 2x USB2.0

### Storage Space

Storage	1 x 2.5" SATA HDD or SSD space 1 x Internal SD Card slot on board
---------	--

### Expansion

Expansion Slot	1 x Mini PCIe Full size slot (For option WLAN/BT module)
----------------	--

### Power

Power Input	DC 9~36V
Power Consumption	MAX: 15.9W

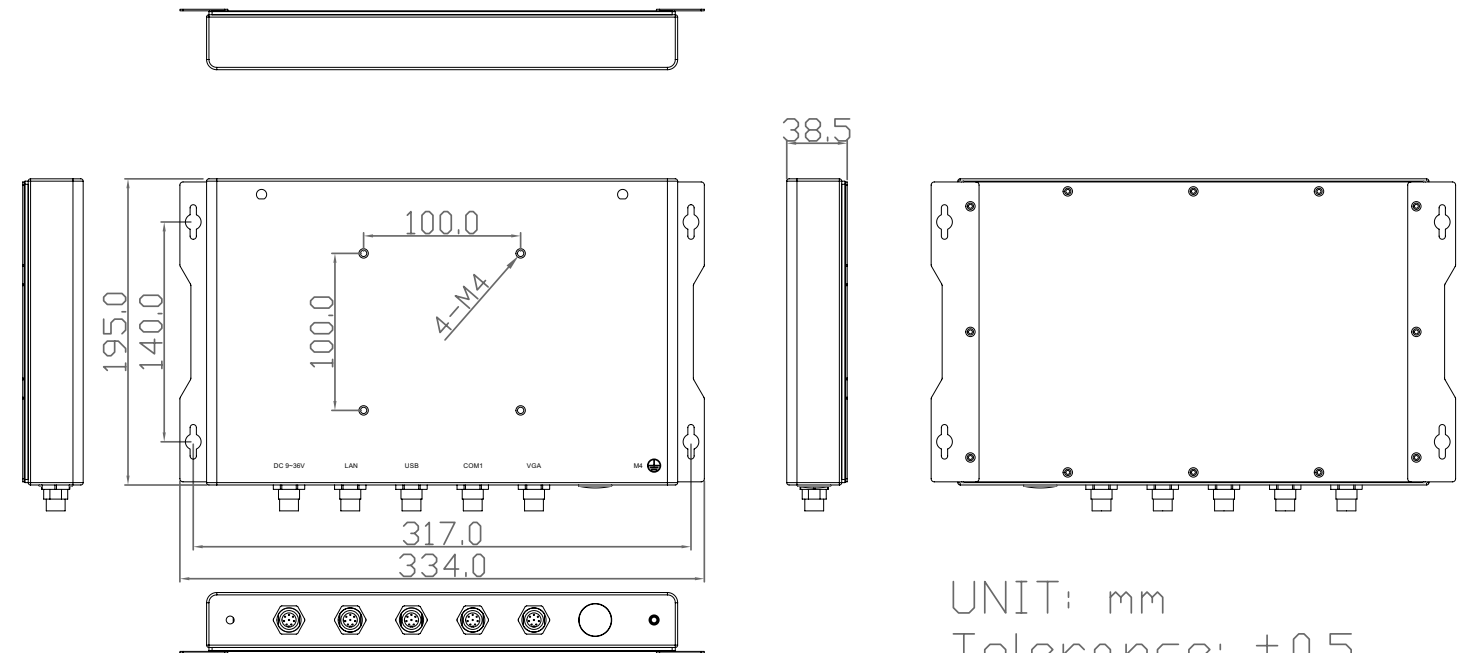
### Mechanical

Construction	316 Stainless Steel Chassis
Mounting	VESA Mount 100 x100 / Wall Mount
IP Rating	Total IP66 6 sides
Dimensions	334 x 195 x 38.5mm
Net Weight	4 kg

### Environmental

Operating Temperature	-20~60°C
Storage Temperature	-30~70°C
Storage Humidity	10 to 90%@ 40°C, non-condensing
Certificate	Meet CE / FCC Class A ATEX / IECEx / C1D2 Zone 2

## Dimensions



UNIT: mm  
Tolerance: ±0.5



www.hardware-solutions.it

### Operating System Support

Windows® 7 Embedded Standard  
 Windows® Embedded Standard 7  
 Windows® Embedded 8.1 Pro  
 Windows® Embedded 8.1 Industry Pro  
 Windows® 10 IOT Enterprise LTSB 2016

