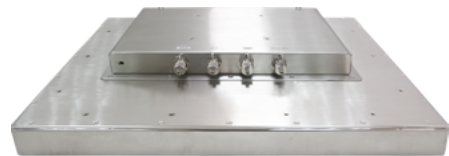



AEx-119



Features

- ◆ SUS316 Stainless Steel
- ◆ Total IP66 Grade with M12 Waterproof Connector
- ◆ Wide range DC 9~36V Power Input
- ◆ Support Panel Mount & VESA Mount
- ◆ Support Projected Capacitive Touch
- ◆ Full Flat Bezel and Fanless Design
- ◆ Stainless Steel OSD Function Key
- ◆ ATEX Zone2, IECEx and C1D2 Certified
 - IECEx Certification: Ex nA ic IIC T4 Gc
 - ATEX Certification:  II 3 G
 - C1D2 Certification: Class I, Division 2, Groups A, B, C, D T4

Specifications

I/O Port

Outside I/O Port
 1 x M16 3pin DC Power with Metal Waterproof CAP
 1 x M12 12pin for VGA with Metal Waterproof CAP
 1 x M12 USB for Touch Control with Metal Waterproof CAP
 External OSD BOX design with M12 3M OSD Cable with waterproof CAP

Display	Standard	High Brightness Optional
Display Type	19" Color TFT-LCD	19" Color TFT-LCD
Max. Resolution	1280 x 1024	1280 x 1024
Max. Color	16.7M	16.7M
Luminance (cd/m ²)	350	1000
View Angle	H: 170/ V:160	H: 170/ V:160
Contrast	1000:1	1000:1
Backlight Lifetime	50,000 hrs	50,000 hrs

Touch Screen

Type	Projected Capacitive Touch
Interface	USB
Light Transmission(%)	90%

Power

Power Input	DC 9~36 V
Power Consumption	MAX: 17 W

Mechanical

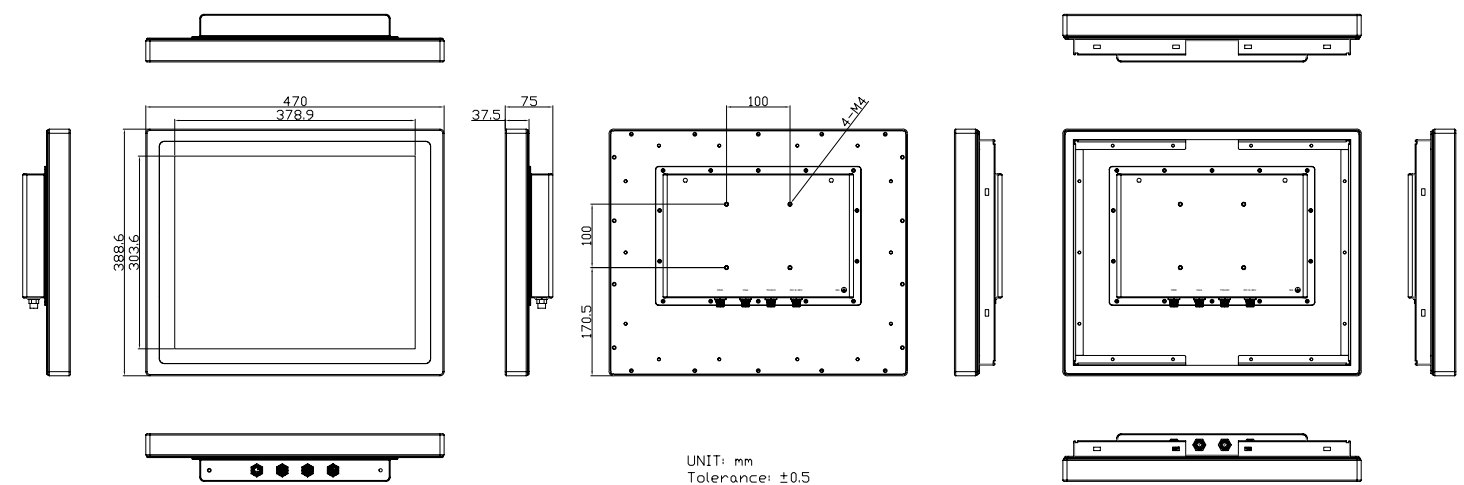
Construction	316 Stainless Steel Chassis
Mounting	VESA Mount 100 x100 / Panel Mount
IP Rating	Total IP66 6 sides
Dimensions	470 x 388.6 x 75 mm
Net Weight	12 Kg

Environmental

Operating Temperature	-20~60°C
Storage Temperature	-30~70°C
Storage Humidity	10 to 90%@ 40°C, non-condensing

Certificate
 Meet CE / FCC Class A
 ATEX / IECEx / C1D2 Zone 2

Dimensions



Ordering information

AEx-119P	19"/IP65/VGA/OSD/PCT/9~36V
AEx-119PH	19"/HB 1000nits/IP65/VGA/OSD/PCT/9~36V