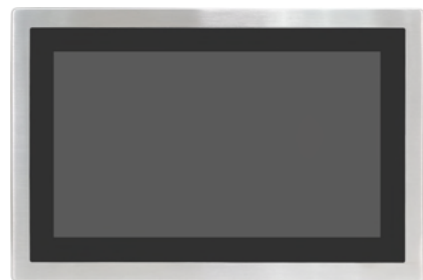



AEx-116



www.hardware-solutions.it

Features

- ◆ SUS316 Stainless Steel
- ◆ Total IP66 Grade with M12 Waterproof Connector
- ◆ Wide range DC 9~36V Power Input
- ◆ Support Panel Mount & VESA Mount
- ◆ Support Projected Capacitive Touch
- ◆ Full Flat Bezel and Fanless Design
- ◆ Stainless Steel OSD Function Key
- ◆ ATEX Zone2, IECEx and C1D2 Certified
 - IECEx Certification: Ex nA ic IIC T4 Gc
 - ATEX Certification:  II 3 G
 - C1D2 Certification: Class I, Division 2, Groups A, B, C, D T4

Specifications

I/O Port

Outside I/O Port
 1 x M16 3pin DC Power with Metal Waterproof CAP
 1 x M12 12pin for VGA with Metal Waterproof CAP
 1 x M12 USB for Touch Control with Metal Waterproof CAP
 External OSD BOX design with M12 3M OSD Cable with waterproof CAP

Display

Display Type	15.6" Color TFT-LCD
Max. Resolution	1920 x 1080
Max. Color	16.7M
Luminance (cd/m ²)	400
View Angle	H: 160/ V:140
Contrast	700:1
Backlight Lifetime	50,000 hrs

Touch Screen

Type	Projected Capacitive Touch
Interface	USB
Light Transmission(%)	90%

Power

Power Input	DC 9~36 V
Power Consumption	MAX: 13 W

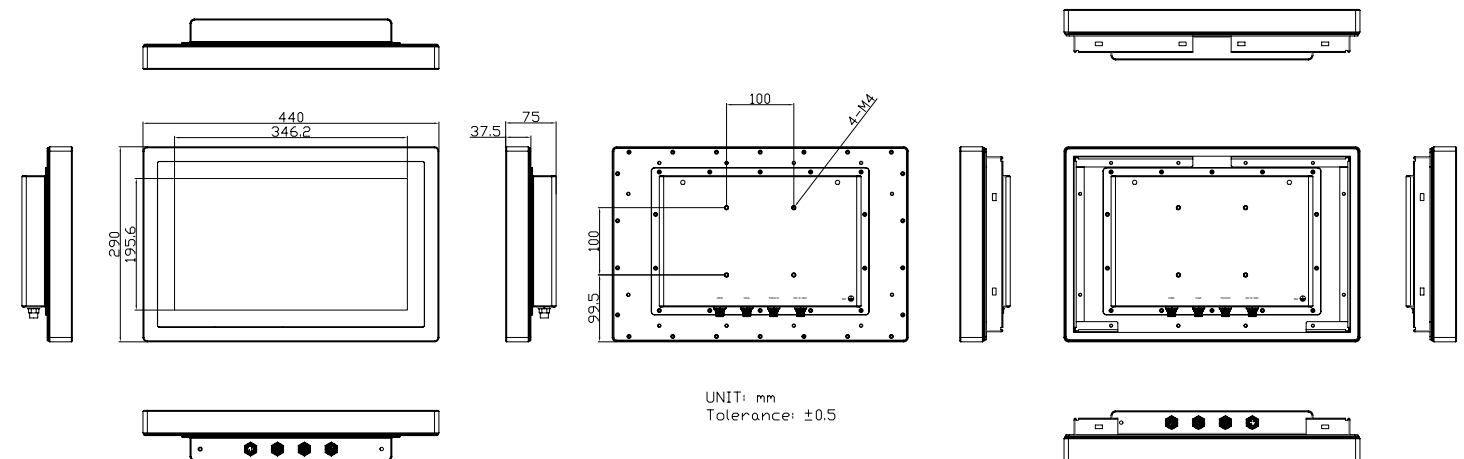
Mechanical

Construction	316 Stainless Steel Chassis
Mounting	VESA Mount 100 x100 / Panel Mount
IP Rating	Total IP66 6 sides
Dimensions	440 x 290 x 75 mm
Net Weight	9.1 Kg

Environmental

Operating Temperature	-20~60°C
Storage Temperature	-30~70°C
Storage Humidity	10 to 90% @ 40°C, non-condensing
Certificate	Meet CE / FCC Class A ATEX / IECEx / C1D2 Zone 2

Dimensions



Ordering information

AEx-116P 15.6"/FHD/IP65/VGA/OSD/PCT/9~36V